

# PLAN



VENJAKOB  
Vorsprung durch Design und Qualität

VALID FROM 01.09.2019  
PRICES | AVAILABILITY OF RANGE ONLY  
VALID WITH RANGE IN SHOW-ROOM

X 4

TIMELESS

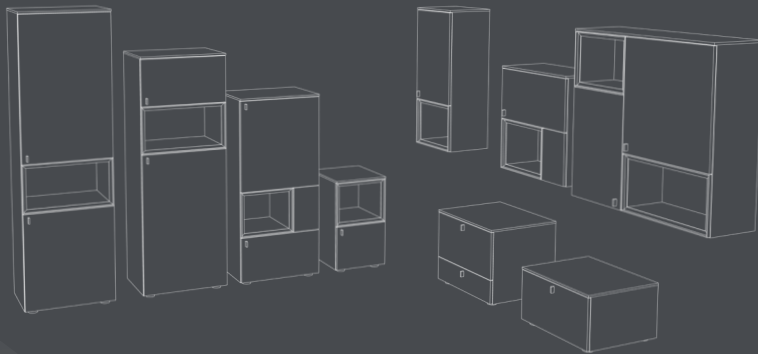


Contact our sales office:  
Monday - Saturday  
8 am - 4 pm  
tel. +49 52 09 / 5 92 - 231  
Service Hotline  
tel. +49 1 73 / 9 00 32 22



# PLAN X

Because easy is simply better –  
**The new Venjakob planning system**



PLAN X based on uniform grid sizes:

**8 height grids**

**6 width grids**

**4 depth grids**

are available for planning. Therefore, PLAN X enables a furniture set-up that fits perfectly, matches your lifestyle exactly and gives the room a unique character.

## X4 - WHAT YOU NEED TO KNOW FOR YOUR PLANNING PROJECTS:

- For planning elements the following rules apply:  
A careful measurement is a prerequisite for exact assembly and alignment of the furniture. Please keep in mind that floors, walls, ceilings etc. are not exactly straight.
- Only planning elements of the same height can be combined, the elements are not stackable.
- The planning elements can be fitted together up to a total width of 252 cm, in this case the top leaf will be in one piece end-to-end, the outer side panels of the planning elements automatically become middle panels. The overall dimension for items consisting of fitted planning elements is increased by 4 cm in width because of the connecting ledge (example: 3 planning elements with width of 60+124+60 cm result in an item with a total width of 252 cm).
- The planning elements are available as free-standing single items at the same price.
- If you want to change system recommendations, they have to be dismantled into their planning elements.
- The respective ambient lighting as well as underframes and underframe lighting for individual configurations can be found on the last page.
- Please always add a sketch to your order!
- All pictured wall units, system recommendations and planning elements have an „L“ as the 9<sup>TH</sup> number of the order number, all mirrored items are labeled with an „R“. The mirrored item is available at the same price.
- Special designs (changes of width, height or depth) on request and at a surcharge!

changes of width for wall shelves and shelves for shelving units:  
changes of height for wall panels and side panels:

- The range can be individually arranged with the planning program **furn plan**

Are models are protected by design law.  
The right of technically required modifications as well as colour deviations is reserved.  
No liability for misprints and errors.  
All dimensions are approximate (all in cm).  
Prices | Availability of the range only valid with range in show room!

**Carcase + front:**

03- oak rustico light oiled finish

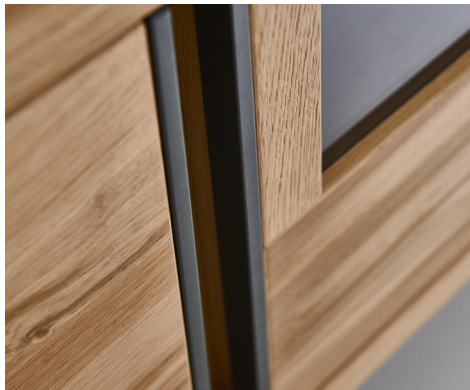


No special colours available.

Available finishes for wall units, system recommendations and planning elements (please add the order-no.):

CARCASE + FRONT:	5 <sup>TH</sup> - 8 <sup>TH</sup> number of the order-no.*
oak rustico light oiled finish	- 0300_

\*All shown items and recommendations have an „L“ as the 9<sup>TH</sup> number of the order number, all mirrored items are labeled with an „R“. The mirrored item is available at the same price.



**Quality features:**

- Carcase and front in real wood veneer oak rustico light.
- The surface is multi-oiled and brushed.
- Glass doors and glass on side in Parsol glass grey.
- LED lighting for an interesting lighting atmosphere, available for all spaces, as well as ambient and underframe lighting (only available with an underframe).
- All lightings can be operated with Touch-Light.
- Full pull out drawers and high-quality fittings with soft-close mechanism.
- Metal handles and metal profile in anthracite matt.
- Cable flap with plastic cover in the top leaf for lowboards and media shelves for hidden cable management as well as further supplementary equipment.
- Modular shelving unit system with side panels in oak rustico light oiled finish.
- Underframe available for many items in metal anthracite matt or in the oiled wood finish oak rustico light.
- Adjustable feet for all standing items, adjustable from the inside.
- Special designs (changes of width, height or depth) on request!
- Please read and follow the planning instructions on page 2!
- Planning program **furnplan** for individual arrangements.
- No special colours available.
- 5-Year-Guarantee according to the Quality Pass.
- Made in Germany





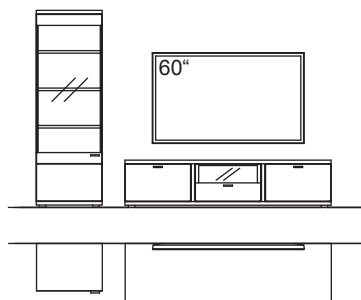
**Finishes:**

Please add the 5<sup>TH</sup> - 8<sup>TH</sup> number of the order-no. with the finish code  
(overview see page 3)

9<sup>TH</sup> number of the order-no.: L=pictured wall unit | R=mirrored wall unit

## RECOMMENDATION X401-....L/R

R = reversed (same price)



W 270 cm  
H 180 cm  
D 53/23 cm

**TOTAL PRICE**

oak rustico light oiled finish

recommendation consists of:

1x cabinet X4	Z508-0300L
1x lowboard X4	Z121-0300

**LIGHTING PACKAGE:**complete lighting incl. transformer, extension cord and dimmer **ZL01-0000****LIGHTING for single orders**

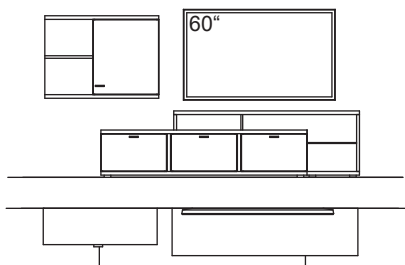
5x set of 1 LED lighting, cabinet/lowboard à	Z901-0001
1x ambient lighting, cabinet	Z909-0057
1x ambient lighting, lowboard	Z909-0008
2x transformer à	Z915-0000
1x additional extension cord	Z916-0000
1x transmit dimmer set	0094-0036

**supplementary equipment, optional:**

1x underframe, cabinet	Z848-.02
1x underframe lighting, cabinet	Z911-0002
1x underframe, lowboard	Z848-.08
1x underframe lighting, lowboard	Z911-0008
1x cable flap, lowboard	Z840-0000

## RECOMMENDATION X402-....L/R

R = reversed (same price)



W 285 cm  
H 150 cm  
D 53/43/33 cm

**TOTAL PRICE**

oak rustico light oiled finish

recommendation consists of:

1x hanging cabinet X4	Z725-0300L
1x lowboard X4	Z120-0300
1x stacking media shelf with corner X4	Z844-0300R

**LIGHTING PACKAGE:**complete lighting incl. transformer, extension cord and dimmer **ZL02-0000****LIGHTING for single orders**

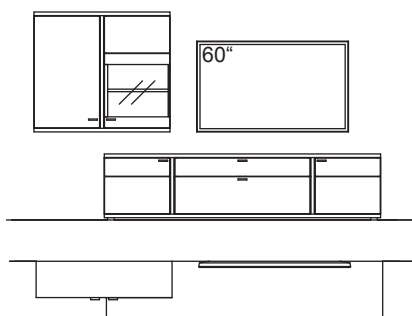
2x set of 1 LED lighting, hanging cabinet à	Z901-0001
1x set of 3 LED lighting, stacking media shelf	Z901-0003
1x transformer	Z915-0000
1x additional extension cord	Z916-0000
1x transmit dimmer set	0094-0036

**supplementary equipment, optional:**

1x cable flap, stacking media shelf	Z840-0000
-------------------------------------	-----------

## RECOMMENDATION X403-....L/R

R = reversed (same price)



W 315 cm  
H 190 cm  
D 53/33 cm

**TOTAL PRICE**

oak rustico light oiled finish

recommendation consists of:

1x hanging cabinet X4	Z736-0300L
1x lowboard X4	Z146-0300

**LIGHTING PACKAGE:**complete lighting incl. transformer, extension cord and dimmer **ZL03-0000****LIGHTING for single orders**

2x set of 1 LED lighting, hanging cabinet à	Z901-0001
1x ambient lighting, lowboard	Z909-0022
1x transformer	Z915-0000
1x additional extension cord	Z916-0000
1x transmit dimmer set	0094-0036

**supplementary equipment, optional:**

1x underframe, lowboard	Z848-.11
1x underframe lighting, lowboard	Z911-0011
1x cable flap, lowboard	Z840-0000

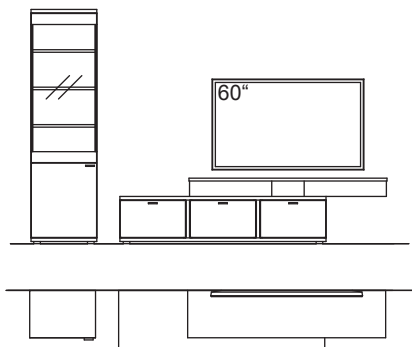
**Finishes:**

Please add the 5<sup>TH</sup> - 8<sup>TH</sup> number of the order-no. with the finish code  
(overview see page 3)

9<sup>TH</sup> number of the order-no.: L=pictured wall unit | R=mirrored wall unit

**RECOMMENDATION X404-....L/R**

R = reversed (same price)



W 325 cm  
H 214 cm  
D 53/43 cm

**TOTAL PRICE**  
oak rustico light oiled finish

recommendation consists of:

1x cabinet X4	Z606-0300L
1x lowboard X4	Z120-0300
1x hanging media shelf X4	Z843-0300

**LIGHTING PACKAGE:**

complete lighting incl. transformer, extension cord and dimmer **ZL04-0000**

**LIGHTING for single orders**

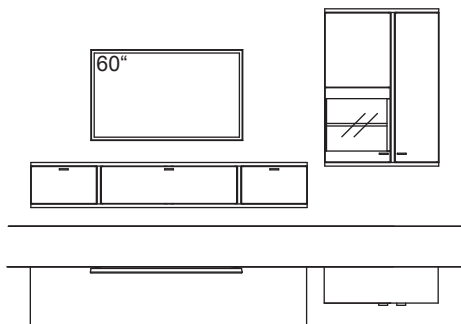
4x set of 1 LED lighting, cabinet à	Z901-0001
1x ambient lighting, cabinet	Z909-0068
1x ambient lighting, lowboard	Z909-0008
1x ambient lighting, hanging media shelf	Z903-0000
2x transformer à	Z915-0000
1x additional extension cord	Z916-0000
1x transmit dimmer set	0094-0036

**supplementary equipment, optional:**

1x underframe, cabinet	Z848-.02
1x underframe lighting, cabinet	Z911-0002
1x underframe, lowboard	Z848-.08
1x underframe lighting, lowboard	Z911-0008
1x cable flap, hanging media shelf	Z840-0000

**RECOMMENDATION X405-....L/R**

R = reversed (same price)



W 370 cm  
H 195 cm  
D 53/33 cm

**TOTAL PRICE**  
oak rustico light oiled finish

recommendation consists of:

1x hanging lowboard X4	Z037-0300
1x hanging cabinet X4	Z746-0300R

**LIGHTING PACKAGE:**

complete lighting incl. transformer, extension cord and dimmer **ZL05-0000**

**LIGHTING for single orders**

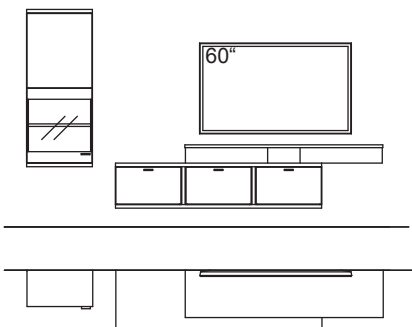
2x set of 1 LED lighting, hanging cabinet à	Z901-0001
1x transformer	Z915-0000
1x additional extension cord	Z916-0000
1x transmit dimmer set	0094-0036

**supplementary equipment, optional:**

1x cable flap, hanging lowboard	Z840-0000
---------------------------------	-----------

**RECOMMENDATION X406-....L/R**

R = reversed (same price)



W 325 cm  
H 200 cm  
D 53/43/33 cm

**TOTAL PRICE**  
oak rustico light oiled finish

recommendation consists of:

1x hanging cabinet X4	Z743-0300L
1x hanging lowboard X4	Z035-0300
1x hanging media shelf X4	Z843-0300

**LIGHTING PACKAGE:**

complete lighting incl. transformer, extension cord and dimmer **ZL06-0000**

**LIGHTING for single orders**

2x set of 1 LED lighting, hanging cabinet à	Z901-0001
1x ambient lighting, hanging media shelf	Z903-0000
1x transformer	Z915-0000
1x additional extension cord	Z916-0000
1x transmit dimmer set	0094-0036

**supplementary equipment, optional:**

1x cable flap, hanging media shelf	Z840-0000
------------------------------------	-----------



**Finishes:**

Please add the 5<sup>TH</sup> - 8<sup>TH</sup> number of the order-no. with the finish code (overview see page 3)

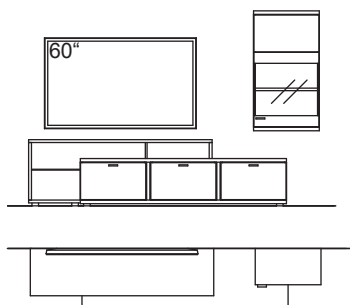
9<sup>TH</sup> number of the order-no.: L=pictured wall unit | R=mirrored wall unit

**RECOMMENDATION X407-....L/R**

R = reversed (same price)

W 265 cm  
H 180 cm  
D 53/43/33 cm

**TOTAL PRICE**  
oak rustico light oiled finish



recommendation consists of:

1x lowboard X4	Z120-0300
1x stacking media shelf with corner X4	Z844-0300L
1x hanging cabinet X4	Z733-0300R

**LIGHTING PACKAGE:**

complete lighting incl. transformer, extension cord and dimmer **ZL07-0000**

**LIGHTING for single orders**

2x set of 1 LED lighting, hanging cabinet à	Z901-0001
1x set of 3 LED lighting, stacking media shelf	Z901-0003
1x transformer	Z915-0000
1x additional extension cord	Z916-0000
1x transmit dimmer set	0094-0036

**supplementary equipment, optional:**

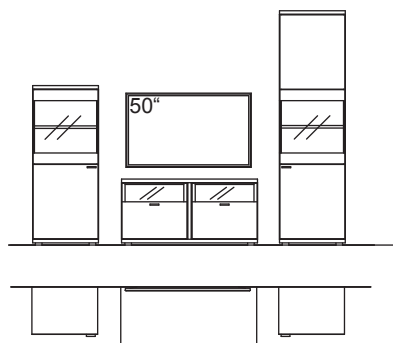
1x cable flap, stacking media shelf	Z840-0000
-------------------------------------	-----------

**RECOMMENDATION X410-....L/R**

R = reversed (same price)

W 285 cm  
H 214 cm  
D 53/43 cm

**TOTAL PRICE**  
oak rustico light oiled finish



recommendation consists of:

1x highboard X4	Z403-0300L
1x lowboard X4	Z143-0300
1x cabinet X4	Z604-0300R

**LIGHTING PACKAGE:**

complete lighting incl. transformer, extension cord and dimmer **ZL10-0000**

**LIGHTING for single orders**

6x set of 1 LED lighting, highboard/lowboard/cabinet à	Z901-0001
1x ambient lighting, highboard	Z909-0046
1x ambient lighting, lowboard	Z909-0016
1x ambient lighting, cabinet	Z909-0068
3x transformer à	Z915-0000
1x additional extension cord	Z916-0000
1x transmit dimmer set	0094-0036

**supplementary equipment, optional:**

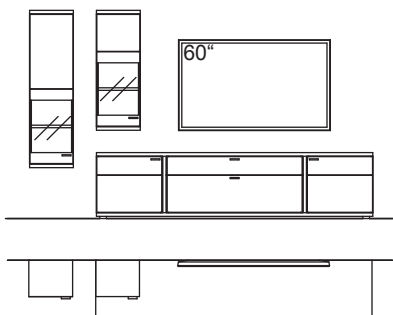
1x underframe, highboard	Z848-..02
1x underframe lighting, highboard	Z911-0002
1x underframe, lowboard	Z848-..05
1x underframe lighting, lowboard	Z911-0005
1x underframe, cabinet	Z848-..02
1x underframe lighting, cabinet	Z911-0002
1x cable flap, lowboard	Z840-0000

**RECOMMENDATION X411-....L/R**

R = reversed (same price)

W 310 cm  
H 190 cm  
D 53/33 cm

**TOTAL PRICE**  
oak rustico light oiled finish



recommendation consists of:

1x hanging cabinet X4	Z741-0300L
1x hanging cabinet X4	Z731-0300L
1x lowboard X4	Z146-0300

**LIGHTING PACKAGE:**

complete lighting incl. transformer, extension cord and dimmer **ZL11-0000**

**LIGHTING for single orders**

4x set of 1 LED lighting, hanging cabinet à	Z901-0001
1x ambient lighting, lowboard	Z909-0022
1x transformer	Z915-0000
2x additional extension cord à	Z916-0000
1x transmit dimmer set	0094-0036

**supplementary equipment, optional:**

1x underframe, lowboard	Z848-..11
1x underframe lighting, lowboard	Z911-0011
1x cable flap, lowboard	Z840-0000

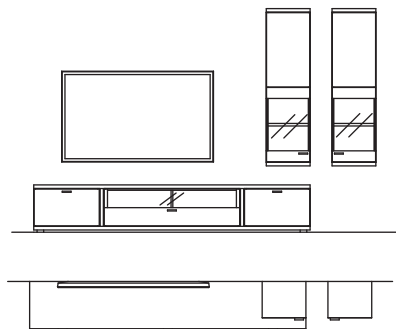
**Finishes:**

Please add the 5<sup>TH</sup> - 8<sup>TH</sup> number of the order-no. with the finish code (overview see page 3)

9<sup>TH</sup> number of the order-no.: L=pictured wall unit | R=mirrored wall unit

**RECOMMENDATION X412-....L/R**

R = reversed (same price)



W 310 cm  
H 205 cm  
D 43/33 cm

**TOTAL PRICE**  
oak rustico light oiled finish

recommendation consists of:

1x lowboard X4	Z108-0300
1x hanging cabinet X4	Z741-0300L
1x hanging cabinet X4	Z741-0300R

**LIGHTING PACKAGE:**

complete lighting incl. transformer, extension cord and dimmer **ZL12-0000**

**LIGHTING for single orders**

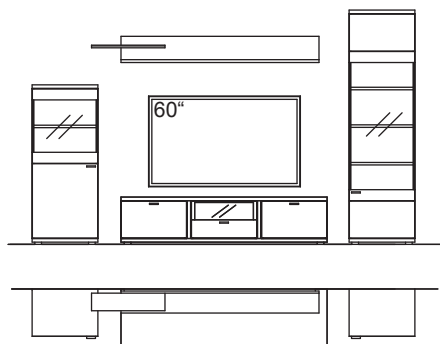
6x set of 1 LED lighting, lowboard/hanging cabinet à	Z901-0001
1x ambient lighting, lowboard	Z909-0011
1x transformer	Z915-0000
1x additional extension cord	Z916-0000
1x transmit dimmer set	0094-0036

**supplementary equipment, optional:**

1x underframe, lowboard	Z848-.11
1x underframe lighting, lowboard	Z911-0011
1x cable flap, lowboard	Z840-0000

**RECOMMENDATION X414-....L/R**

R = reversed (same price)



W 350 cm  
H 214 cm  
D 53/43/23 cm

**TOTAL PRICE**  
oak rustico light oiled finish

recommendation consists of:

1x highboard X4	Z403-0300L
1x lowboard X4	Z121-0300
1x wall shelf with tray X4	Z802-0318R
1x cabinet X4	Z607-0300R

**LIGHTING PACKAGE:**

complete lighting incl. transformer, extension cord and dimmer **ZL14-0000**

**LIGHTING for single orders**

7x set of 1 LED lighting, highboard/lowboard/cabinet à	Z901-0001
1x ambient lighting, highboard	Z909-0046
1x ambient lighting, lowboard	Z909-0008
1x ambient lighting, wall shelf	Z905-0003
1x ambient lighting, cabinet	Z909-0068
3x transformer à	Z915-0000
1x additional extension cord	Z916-0000
1x transmit dimmer set	0094-0036

**supplementary equipment, optional:**

1x underframe, highboard	Z848-.02
1x underframe lighting, highboard	Z911-0002
1x underframe, lowboard	Z848-.08
1x underframe lighting, lowboard	Z911-0008
1x underframe, cabinet	Z848-.02
1x underframe lighting, cabinet	Z911-0002
1x cable flap, lowboard	Z840-0000



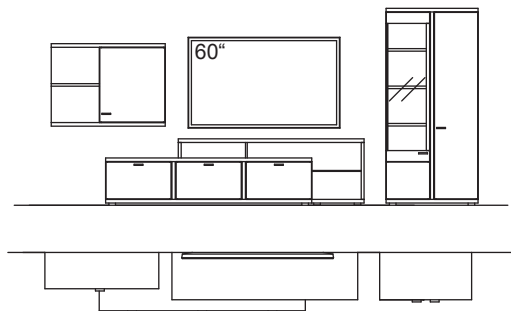
**Finishes:**

Please add the 5<sup>TH</sup> - 8<sup>TH</sup> number of the order-no. with the finish code (overview see page 3)

9<sup>TH</sup> number of the order-no.: L=pictured wall unit | R=mirrored wall unit

RECOMMENDATION X416-....L/R

R = reversed (same price)



W 385 cm  
H 179 cm  
D 53/43/33 cm

**TOTAL PRICE**  
oak rustico light oiled finish

recommendation consists of:

1x hanging cabinet X4	Z725-0300L
1x lowboard X4	Z120-0300
1x stacking media shelf with corner X4	Z844-0300R
1x cabinet X4	Z510-0300L

**LIGHTING PACKAGE:**

complete lighting incl. transformer, extension cord and dimmer **ZL16-0000**

**LIGHTING for single orders**

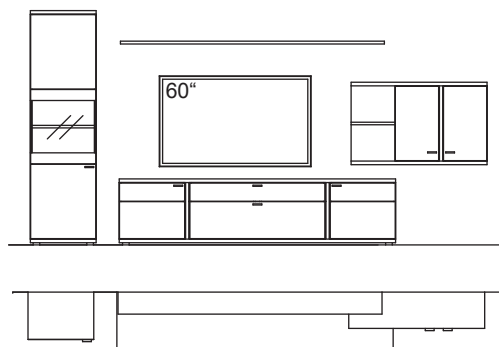
6x set of 1 LED lighting, hanging cabinet/cabinet à	Z901-0001
1x set of 3 LED lighting, stacking media shelf	Z901-0003
1x ambient lighting, cabinet	Z909-0058
2x transformer à	Z915-0000
1x additional extension cord	Z916-0000
1x transmit dimmer set	0094-0036

**supplementary equipment, optional:**

1x underframe, cabinet	Z848-.03
1x underframe lighting, cabinet	Z911-0003
1x cable flap, stacking media shelf	Z840-0000

RECOMMENDATION X417-....L/R

R = reversed (same price)



W 415 cm  
H 214 cm  
D 53/43/33/20 cm

**TOTAL PRICE**  
oak rustico light oiled finish

recommendation consists of:

1x cabinet X4	Z604-0300L
1x lowboard X4	Z146-0300
1x wall shelf X4	Z809-0300
1x hanging cabinet X4	Z728-0300L

**LIGHTING PACKAGE:**

complete lighting incl. transformer, extension cord and dimmer **ZL17-0000**

**LIGHTING for single orders**

4x set of 1 LED lighting, cabinet/hanging cabinet à	Z901-0001
1x set of 4 LED lighting, wall shelf	Z901-0004
1x ambient lighting, cabinet	Z909-0068
1x ambient lighting, lowboard	Z909-0022
2x transformer à	Z915-0000
1x additional extension cord	Z916-0000
1x transmit dimmer set	0094-0036

**supplementary equipment, optional:**

1x underframe, cabinet	Z848-.02
1x underframe lighting, cabinet	Z911-0002
1x underframe, lowboard	Z848-.11
1x underframe lighting, lowboard	Z911-0011
1x cable flap, lowboard	Z840-0000

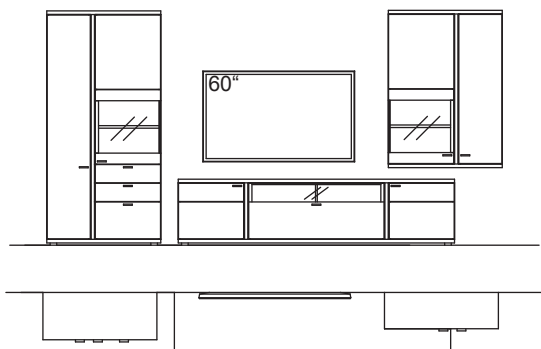
**Finishes:**

Please add the 5<sup>TH</sup> - 8<sup>TH</sup> number of the order-no. with the finish code (overview see page 3)

9<sup>TH</sup> number of the order-no.: L=pictured wall unit | R=mirrored wall unit

RECOMMENDATION X418-....L/R

R = reversed (same price)



W 415 cm  
H 214 cm  
D 53/43/33 cm

**TOTAL PRICE**  
oak rustico light oiled finish

recommendation consists of:

1x cabinet X4	Z614-0300R
1x lowboard X4	Z147-0300
1x hanging cabinet X4	Z746-0300R

**LIGHTING PACKAGE:**

complete lighting incl. transformer, extension cord and dimmer **ZL18-0000**

**LIGHTING for single orders**

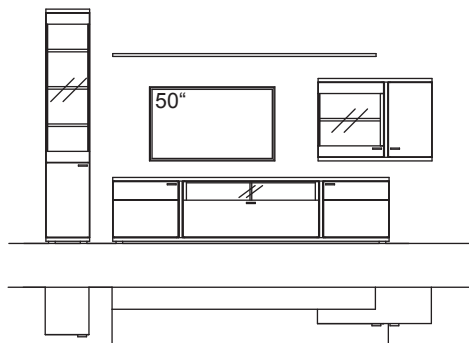
6x set of 1 LED lighting, cabinet/lowboard/hanging cabinet à	Z901-0001
1x ambient lighting, cabinet	Z909-0070
1x ambient lighting, lowboard	Z909-0022
2x transformer à	Z915-0000
1x additional extension cord	Z916-0000
1x transmit dimmer set	0094-0036

**supplementary equipment, optional:**

1x underframe, cabinet	Z848-..04
1x underframe lighting, cabinet	Z911-0004
1x underframe, lowboard	Z848-..11
1x underframe lighting, lowboard	Z911-0011
1x cable flap, lowboard	Z840-0000

RECOMMENDATION X421-....L/R

R = reversed (same price)



W 355 cm  
H 214 cm  
D 53/43/33/20 cm

**TOTAL PRICE**  
oak rustico light oiled finish

recommendation consists of:

1x cabinet X4	Z602-0300L
1x lowboard X4	Z147-0300
1x wall shelf X4	Z809-0300
1x hanging cabinet X4	Z724-0300R

**LIGHTING PACKAGE:**

complete lighting incl. transformer, extension cord and dimmer **ZL21-0000**

**LIGHTING for single orders**

8x set of 1 LED lighting, cabinet/lowboard/hanging cabinet à	Z901-0001
1x set of 4 LED lighting, wall shelf	Z901-0004
1x ambient lighting, cabinet	Z909-0067
1x ambient lighting, lowboard	Z909-0022
3x transformer à	Z915-0000
1x additional extension cord	Z916-0000
1x transmit dimmer set	0094-0036

**supplementary equipment, optional:**

1x underframe, lowboard	Z848-..11
1x underframe lighting, lowboard	Z911-0011
1x cable flap, lowboard	Z840-0000



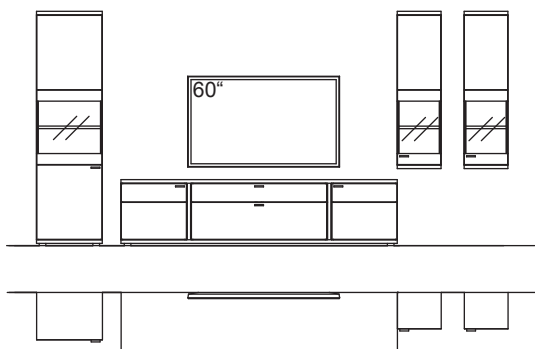
## Finishes:

Please add the 5<sup>TH</sup> - 8<sup>TH</sup> number of the order-no. with the finish code  
(overview see page 3)

9<sup>TH</sup> number of the order-no.: L=pictured wall unit | R=mirrored wall unit

## RECOMMENDATION X422-....L/R

R = reversed (same price)



W 430 cm  
H 214 cm  
D 53/43/33 cm

**TOTAL PRICE**

oak rustico light oiled finish

recommendation consists of:

1x cabinet X4	Z604-0300L
1x lowboard X4	Z146-0300
2x hanging cabinet X4	Z741-0300R

**LIGHTING PACKAGE:**complete lighting incl. transformer, extension cord and dimmer **ZL22-0000****LIGHTING for single orders**

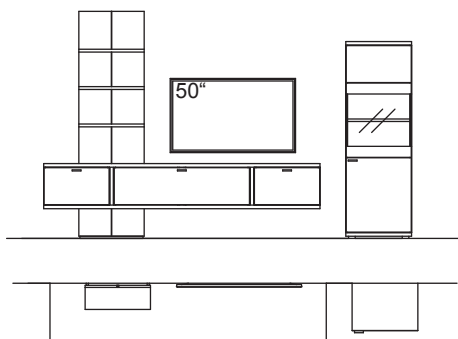
6x set of 1 LED lighting, cabinet/hanging cabinet à	Z901-0001
1x ambient lighting, cabinet	Z909-0068
1x ambient lighting, lowboard	Z909-0022
2x transformer à	Z915-0000
1x additional extension cord	Z916-0000
1x transmit dimmer set	0094-0036

**supplementary equipment, optional:**

1x underframe, cabinet	Z848-..02
1x underframe lighting, cabinet	Z911-0002
1x underframe, lowboard	Z848-..11
1x underframe lighting, lowboard	Z911-0011
1x cable flap, lowboard	Z840-0000

## RECOMMENDATION X430-....L/R

R = reversed (same price)



W 335 cm  
H 207 cm  
D 53/43/20/6 cm

**TOTAL PRICE**

oak rustico light oiled finish

recommendation consists of:

1x wall panel X4	Z815-0300
1x surcharge, special size wall panel	9999-9973
3x wall shelf X4	Z805-0300
1x hanging lowboard X4	Z037-0300
1x cabinet X4	Z505-0300R

**LIGHTING PACKAGE:**complete lighting incl. transformer, extension cord and dimmer **ZL30-0000****LIGHTING for single orders**

5x set of 1 LED lighting, wall shelf/cabinet à	Z901-0001
1x ambient lighting, wall panel	Z902-0001
1x ambient lighting, cabinet	Z909-0057
2x transformer à	Z915-0000
1x additional extension cord	Z916-0000
1x transmit dimmer set	0094-0036

**supplementary equipment, optional:**

1x underframe, cabinet	Z848-..02
1x underframe lighting, cabinet	Z911-0002
1x cable flap, hanging lowboard	Z840-0000

**Finishes:**

Please add the 5<sup>TH</sup> - 8<sup>TH</sup> number of the order-no. with the finish code  
(overview see page 3)

9<sup>TH</sup> number of the order-no.: L=pictured wall unit | R=mirrored wall unit

## RECOMMENDATION X431-....L/R

R = reversed (same price)



W 330 cm  
H 207 cm  
D 53/43/20/6 cm

**TOTAL PRICE**

oak rustico light oiled finish

recommendation consists of:

1x cabinet X4	Z505-0300L
1x hanging lowboard X4	Z035-0300
1x wall panel X4	Z816-0300
1x surcharge, special size wall panel	9999-9973
2x wall shelf X4	Z805-0300
2x wall shelf X4	Z806-0300

**LIGHTING PACKAGE:**complete lighting incl. transformer, extension cord and dimmer **ZL31-0000****LIGHTING for single orders**

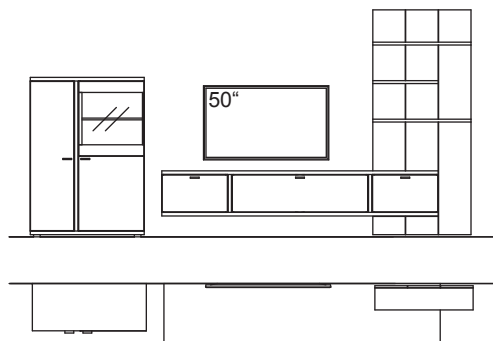
4x set of 1 LED lighting, cabinet/wall shelf à	Z901-0001
2x set of 2 LED lighting, wall shelf à	Z901-0002
1x ambient lighting, cabinet	Z909-0057
1x ambient lighting, wall panel	Z902-0002
2x transformer à	Z915-0000
1x additional extension cord	Z916-0000
1x transmit dimmer set	0094-0036

**supplementary equipment, optional:**

1x underframe, cabinet	Z848-.02
1x underframe lighting, cabinet	Z911-0002
1x cable flap, hanging lowboard	Z840-0000

## RECOMMENDATION X434-....L/R

R = reversed (same price)



W 400 cm  
H 207 cm  
D 53/43/20/6 cm

**TOTAL PRICE**

oak rustico light oiled finish

recommendation consists of:

1x highboard X4	Z405-0300R
1x hanging lowboard X4	Z037-0300
1x wall panel X4	Z816-0300
1x surcharge, special size wall panel	9999-9973
1x wall shelf X4	Z805-0300
2x wall shelf X4	Z806-0300

**LIGHTING PACKAGE:**complete lighting incl. transformer, extension cord and dimmer **ZL34-0000****LIGHTING for single orders**

3x set of 1 LED lighting, highboard/wall shelf à	Z901-0001
2x set of 2 LED lighting, wall shelf à	Z901-0002
1x ambient lighting, highboard	Z909-0048
1x ambient lighting, wall panel	Z902-0002
2x transformer à	Z915-0000
1x additional extension cord	Z916-0000
1x transmit dimmer set	0094-0036

**supplementary equipment, optional:**

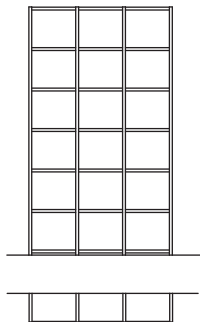
1x underframe, highboard	Z848-.04
1x underframe lighting, highboard	Z911-0004
1x cable flap, hanging lowboard	Z840-0000



**Finishes:**

Please add the 5<sup>TH</sup> - 8<sup>TH</sup> number of the order-no. with the finish code  
(overview see page 3)

9<sup>TH</sup> number of the order-no.: L=pictured wall unit | R=mirrored wall unit

**RECOMMENDATION X440-....**

W 130 cm  
H 226 cm  
D 26 cm

**TOTAL PRICE**

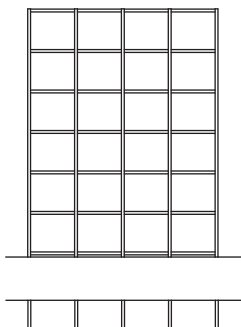
oak rustico light oiled finish

recommendation consists of:

1x	side panel X4, left	Z825-0300L
7x	shelving unit shelf X4	Z828-0300
1x	side panel X4, centre	Z825-0300M
7x	shelving unit shelf X4	Z828-0300
1x	side panel X4, centre	Z825-0300M
7x	shelving unit shelf X4	Z828-0300
1x	side panel X4, right	Z825-0300R

**LIGHTING PACKAGE:**complete lighting incl. transformer, extension cord and dimmer **ZL40-0000****LIGHTING for single orders**

3x	set of 1 LED lighting, shelving unit shelf à	Z901-0001
1x	transformer	Z915-0000
1x	additional extension cord	Z916-0000
1x	transmit dimmer set	0094-0036

**RECOMMENDATION X441-....**

W 173 cm  
H 226 cm  
D 26 cm

**TOTAL PRICE**

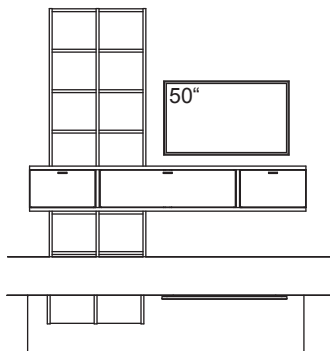
oak rustico light oiled finish

recommendation consists of:

1x	side panel X4, left	Z825-0300L
7x	shelving unit shelf X4	Z828-0300
1x	side panel X4, centre	Z825-0300M
7x	shelving unit shelf X4	Z828-0300
1x	side panel X4, centre	Z825-0300M
7x	shelving unit shelf X4	Z828-0300
1x	side panel X4, centre	Z825-0300M
7x	shelving unit shelf X4	Z828-0300
1x	side panel X4, right	Z825-0300R

**LIGHTING PACKAGE:**complete lighting incl. transformer, extension cord and dimmer **ZL41-0000****LIGHTING for single orders**

4x	set of 1 LED lighting, shelving unit shelf à	Z901-0001
1x	transformer	Z915-0000
1x	additional extension cord	Z916-0000
1x	transmit dimmer set	0094-0036

**RECOMMENDATION X442-....L/R**

W 251 cm  
H 226 cm  
D 53/26 cm

**TOTAL PRICE**

oak rustico light oiled finish

recommendation consists of:

1x	side panel X4, left	Z825-0300L
1x	special size side panel	9999-9974
6x	shelving unit shelf X4	Z828-0300
1x	side panel X4, centre	Z825-0300M
1x	special size side panel	9999-9974
6x	shelving unit shelf X4	Z828-0300
1x	side panel X4, right	Z825-0300R
1x	special size side panel	9999-9974
1x	hanging lowboard X4	Z037-0300

**LIGHTING PACKAGE:**complete lighting incl. transformer, extension cord and dimmer **ZL42-0000****LIGHTING for single orders**

2x	set of 1 LED lighting, shelving unit shelf à	Z901-0001
1x	transformer	Z915-0000
1x	additional extension cord	Z916-0000
1x	transmit dimmer set	0094-0036

**supplementary equipment, optional**

1x	cable flap, hanging lowboard	Z840-0000
----	------------------------------	-----------

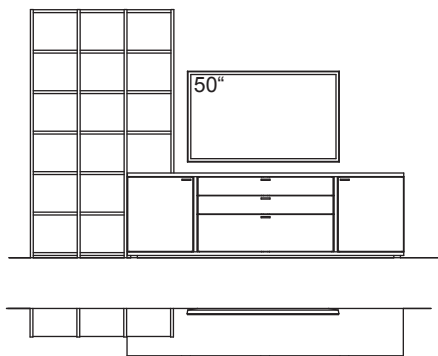
**Finishes:**

Please add the 5<sup>TH</sup> - 8<sup>TH</sup> number of the order-no. with the finish code (overview see page 3)

9<sup>TH</sup> number of the order-no.: L=pictured wall unit | R=mirrored wall unit

**RECOMMENDATION X444-....L/R**

R = reversed (same price)



W 340 cm  
H 226 cm  
D 43/26 cm

**TOTAL PRICE**  
oak rustico light oiled finish

recommendation consists of:

1x	side panel X4, left	Z825-0300L
7x	shelving unit shelf X4	Z828-0300
1x	side panel X4, centre	Z825-0300M
7x	shelving unit shelf X4	Z828-0300
1x	side panel X4, centre	Z825-0300M
4x	shelving unit shelf X4	Z828-0300
1x	side panel X4, right	Z823-0300R
1x	special size side panel	9999-9974
1x	sideboard X4	Z208-0300

**LIGHTING PACKAGE:**

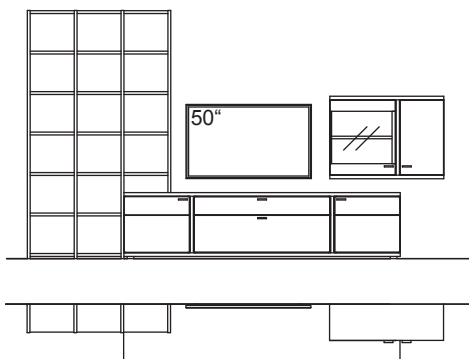
complete lighting incl. transformer, extension cord and dimmer **ZL44-0000**

**LIGHTING for single orders**

3x	set of 1 LED lighting, shelving unit shelf à	Z901-0001
1x	ambient lighting, sideboard	Z909-0033
1x	transformer	Z915-0000
1x	additional extension cord	Z916-0000
1x	transmit dimmer set	0094-0036

**RECOMMENDATION X445-....L/R**

R = reversed (same price)



W 380 cm  
H 226 cm  
D 53/33/26 cm

**TOTAL PRICE**  
oak rustico light oiled finish

recommendation consists of:

1x	side panel X4, left	Z825-0300L
7x	shelving unit shelf X4	Z828-0300
1x	side panel X4, centre	Z825-0300M
7x	shelving unit shelf X4	Z828-0300
1x	side panel X4, centre	Z825-0300M
5x	shelving unit shelf X4	Z828-0300
1x	side panel X4, right	Z824-0300R
1x	special size side panel	9999-9974
1x	lowboard X4	Z146-0300
1x	hanging cabinet X4	Z724-0300R

**LIGHTING PACKAGE:**

complete lighting incl. transformer, extension cord and dimmer **ZL45-0000**

**LIGHTING for single orders**

5x	set of 1 LED lighting, shelving unit shelf/hanging cabinet à	Z901-0001
1x	ambient lighting, lowboard	Z909-0022
1x	transformer	Z915-0000
1x	additional extension cord	Z916-0000
1x	transmit dimmer set	0094-0036

**supplementary equipment, optional:**

1x	cable flap, lowboard	Z840-0000
----	----------------------	-----------

# SYSTEM RECOMMENDATIONS

# PLAN

 4 TIMELESS

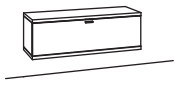
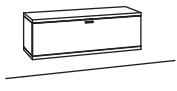
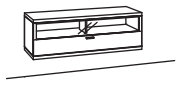
## Finishes:

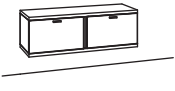
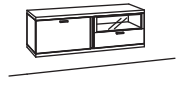
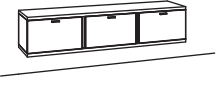
Please add the 5<sup>TH</sup> - 8<sup>TH</sup> number of the order-no. with the finish code (overview see page 3)

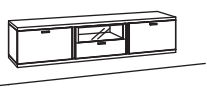
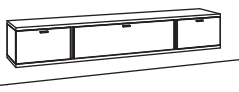
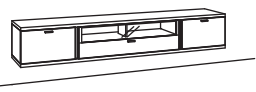
9<sup>TH</sup> number of the order-no.: L=pictured item | R=mirrored item

**1 GRID** H 41 cm

**SYSTEM RECOMMENDATIONS**

HANGING LOWBOARD X4		HANGING LOWBOARD X4		HANGING LOWBOARD X4	
1 large drop flap (space divided) max. load up to 40 kg assembled		1 large full pull out drawer (divided) max. load up to 40 kg assembled		1 large full pull out drawer (divided) max. load up to 40 kg assembled	
W 124 cm H 41 cm D 43/53 cm		W 124 cm H 41 cm D 43/53 cm		W 124 cm H 41 cm D 43/53 cm	
					
order no.: <b>Z010-0300</b>   D 43 cm <b>Z030-0300</b>   D 53 cm		order no.: <b>Z011-0300</b>   D 43 cm <b>Z031-0300</b>   D 53 cm		order no.: <b>Z012-0300</b>   D 43 cm <b>Z032-0300</b>   D 53 cm	
Z010- Z030-		Z011- Z031-		Z012- Z032-	
cable flap	Z840-0000	cable flap	Z840-0000	2x set of 1 LED lighting transformer	Z901-0001 à Z915-0000
				cable flap	Z840-0000

HANGING LOWBOARD X4		HANGING LOWBOARD X4		HANGING LOWBOARD X4	
2 full pull out drawers max. load up to 40 kg assembled		2 full pull out drawers max. load up to 40 kg assembled		3 full pull out drawers max. load up to 60 kg assembled	
W 124 cm H 41 cm D 43/53 cm		W 124 cm H 41 cm D 43/53 cm		W 188 cm H 41 cm D 43/53 cm	
					
composed of: at T 43 cm: 2x Z071 at T 53 cm: 2x Z081		composed of: at T 43 cm: Z071, Z072 at T 53 cm: Z081, Z082		composed of: at T 43 cm: 3x Z071 at T 53 cm: 3x Z081	
order no.: <b>Z013-0300</b>   D 43 cm <b>Z033-0300</b>   D 53 cm		order no.: <b>Z014-0300L/R</b>   D 43 cm <b>Z034-0300L/R</b>   D 53 cm		order no.: <b>Z015-0300</b>   D 43 cm <b>Z035-0300</b>   D 53 cm	
Z013- Z033-		Z014- Z034-		Z015- Z035-	
cable flap	Z840-0000	set of 1 LED lighting transformer	Z901-0001 Z915-0000	cable flap	Z840-0000
		cable flap	Z840-0000		

HANGING LOWBOARD X4		HANGING LOWBOARD X4		HANGING LOWBOARD X4	
3 full pull out drawers max. load up to 60 kg assembled		2 full pull out drawers 1 large drop flap (space divided) max. load up to 70 kg pre-assembled, 4 cases		3 full pull out drawers, (the big drawer is divided) max. load up to 70 kg pre-assembled, 4 cases	
W 188 cm H 41 cm D 43/53 cm		W 252 cm H 41 cm D 43/53 cm		W 252 cm H 41 cm D 43/53 cm	
					
inside measurements glass compartment: WxHxD 565x159x383(483) mm		inside measurements glass compartment: WxHxD 565x159x383(483) mm		inside measurements glass compartment: <b>2x</b> WxHxD 593x159x383(483) mm	
composed of: at T 43 cm: 2x Z071, Z072 at T 53 cm: 2x Z081, Z082		composed of: at T 43 cm: 2x Z071, Z073 at T 53 cm: 2x Z081, Z083		composed of: at T 43 cm: 2x Z071, Z075 at T 53 cm: 2x Z081, Z085	
order no.: <b>Z016-0300</b>   D 43 cm <b>Z036-0300</b>   D 53 cm		order no.: <b>Z017-0300</b>   D 43 cm <b>Z037-0300</b>   D 53 cm		order no.: <b>Z018-0300</b>   D 43 cm <b>Z038-0300</b>   D 53 cm	
Z016- Z036-		Z017- Z037-		Z018- Z038-	
set of 1 LED lighting transformer	Z901-0001 Z915-0000	cable flap	Z840-0000	2x set of 1 LED lighting transformer	Z901-0001 à Z915-0000
cable flap	Z840-0000			cable flap	Z840-0000



# SYSTEM RECOMMENDATIONS

# PLAN

4 TIMELESS

### Finishes:

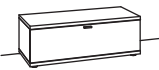

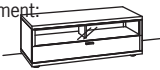
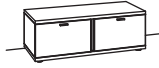
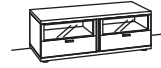

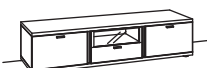
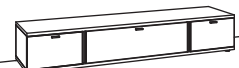
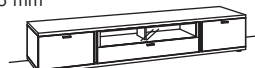
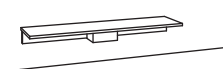
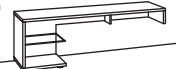
Please add the 5<sup>TH</sup> - 8<sup>TH</sup> number of the order-no. with the finish code

(overview see page 3)

9<sup>TH</sup> number of the order-no.: L=pictured item | R=mirrored item

## 1 GRID H 43 cm

## SYSTEM RECOMMENDATIONS

LOWBOARD X4		LOWBOARD X4		LOWBOARD X4	
1 large drop flap (space divided) assembled		1 large full pull out drawer (divided) assembled		1 large full pull out drawer (divided) assembled	
W 124 cm H 43 cm D 43/53 cm		W 124 cm H 43 cm D 43/53 cm		W 124 cm H 43 cm D 43/53 cm	
					
order no.: <b>Z100-0300</b>   D 43 cm <b>Z115-0300</b>   D 53 cm		order no.: <b>Z101-0300</b>   D 43 cm <b>Z116-0300</b>   D 53 cm		order no.: <b>Z102-0300</b>   D 43 cm <b>Z117-0300</b>   D 53 cm	
Z100- Z115-		Z101- Z116-		Z102- Z117-	
ambient lighting	Z909-0005	ambient lighting	Z909-0005	2x set of 1 LED lighting	Z901-0001 à
transformer	Z915-0000	transformer	Z915-0000	ambient lighting	Z909-0005
underframe	Z848-..05	underframe	Z848-..05	transformer	Z915-0000
underframe lighting	Z911-0005	underframe lighting	Z911-0005	underframe	Z848-..05
cable flap	Z840-0000	cable flap	Z840-0000	underframe lighting	Z911-0005
				cable flap	Z840-0000
2 full pull out drawers assembled		2 full pull out drawers assembled		3 full pull out drawers assembled	
W 124 cm H 43 cm D 43/53 cm		W 124 cm H 43 cm D 43/53 cm		W 188 cm H 43 cm D 43/53 cm	
					
composed of: at T 43 cm: 2x Z151 at T 53 cm: 2x Z161		composed of: at T 43 cm: 2x Z152 at T 53 cm: 2x Z162		composed of: at T 43 cm: 3x Z151 at T 53 cm: 3x Z161	
order no.: <b>Z103-0300</b>   D 43 cm <b>Z118-0300</b>   D 53 cm		order no.: <b>Z104-0300</b>   D 43 cm <b>Z119-0300</b>   D 53 cm		order no.: <b>Z105-0300</b>   D 43 cm <b>Z120-0300</b>   D 53 cm	
Z103- Z118-		Z104- Z119-		Z105- Z120-	
ambient lighting	Z909-0005	2x set of 1 LED lighting	Z901-0001 à	ambient lighting	Z909-0008
transformer	Z915-0000	ambient lighting	Z909-0005	transformer	Z915-0000
underframe	Z848-..05	transformer	Z915-0000	underframe	Z848-..08
underframe lighting	Z911-0005	underframe	Z848-..05	underframe lighting	Z911-0008
cable flap	Z840-0000	underframe lighting	Z911-0005	cable flap	Z840-0000
		cable flap	Z840-0000		
3 full pull out drawers assembled		2 full pull out drawers 1 large drop flap (space divided) pre-assembled, 4 cases		3 full pull out drawers (the big drawer is divided) pre-assembled, 4 cases	
W 188 cm H 43 cm D 43/53 cm		W 252 cm H 43 cm D 43/53 cm		W 252 cm H 43 cm D 43/53 cm	
inside measurements glass compartment: WxHxD 565x159x383 mm		inside measurements glass compartment: 2x WxHxD 565x159x383 mm		inside measurements glass compartment: 2x WxHxD 593x159x383 mm	
					
composed of: at T 43 cm: 2x Z151, Z152 at T 53 cm: 2x Z161, Z162		composed of: at T 43 cm: 2x Z151, Z153 at T 53 cm: 2x Z161, Z163		composed of: at T 43 cm: 2x Z151, Z155 at T 53 cm: 2x Z161, Z165	
order no.: <b>Z106-0300</b>   D 43 cm <b>Z121-0300</b>   D 53 cm		order no.: <b>Z107-0300</b>   D 43 cm <b>Z122-0300</b>   D 53 cm		order no.: <b>Z108-0300</b>   D 43 cm <b>Z123-0300</b>   D 53 cm	
Z106- Z121-		Z107- Z122-		Z108- Z123-	
set of 1 LED lighting	Z901-0001	ambient lighting	Z909-0011	2x set of 1 LED lighting	Z901-0001 à
ambient lighting	Z909-0008	transformer	Z915-0000	ambient lighting	Z909-0011
transformer	Z915-0000	underframe	Z848-..11	transformer	Z915-0000
underframe	Z848-..08	underframe lighting	Z911-0011	underframe	Z848-..11
underframe lighting	Z911-0008	cable flap	Z840-0000	underframe lighting	Z911-0011
cable flap	Z840-0000			cable flap	Z840-0000
cable cover in centre, also available as hanging shelf without lowboard max. load up to 30 kg assembled		for lowboards H 43 cm divider 15 cm recessed 1 glass shelf, 8 mm, (max. load up to 8 kg), assembled			
W 180 cm H 16,6 cm D 43 cm		W 169 cm H 60 cm D 43 cm			
					
order no.: <b>Z843-0300</b>		order no.: <b>Z844-0300L/R</b>			
ambient lighting	Z903-0000	set of 3 LED lighting	Z901-0003		
transformer	Z915-0000	transformer	Z915-0000		
cable flap	Z840-0000	cable flap	Z840-0000		

# SYSTEM RECOMMENDATIONS

# PLAN

## 4 TIMELESS



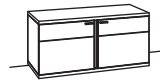
### Finishes:

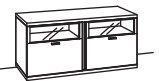
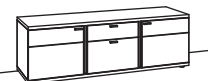
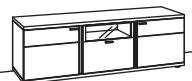
Please add the 5<sup>TH</sup> - 8<sup>TH</sup> number of the order-no. with the finish code  
(overview see page 3)


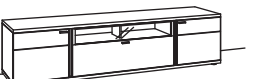
9<sup>TH</sup> number of the order-no.: L=pictured item | R=mirrored item

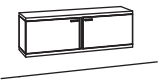
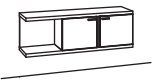
**1,5 GRIDS** H 60 cm

**SYSTEM RECOMMENDATIONS**

LOWBOARD X4		LOWBOARD X4		LOWBOARD X4	
2 large full pull out drawers (divided) assembled		1 large full pull out drawer (divided) assembled		2 doors 2 wood shelves, adjustable assembled	
W 124 cm H 60 cm D 43/53 cm		W 124 cm H 60 cm D 43/53 cm		W 124 cm H 60 cm D 43/53 cm	
					
inside measurements glass compartment: 2x WxHxD 593x159x383 mm		inside measurements glass compartment: 2x WxHxD 593x159x383 mm		inside measurements glass compartment: 2x WxHxD 593x159x383 mm	
order no.: <b>Z130-0300</b>   D 43 cm <b>Z140-0300</b>   D 53 cm		order no.: <b>Z131-0300</b>   D 43 cm <b>Z141-0300</b>   D 53 cm		order no.: <b>Z132-0300</b>   D 43 cm <b>Z142-0300</b>   D 53 cm	
Z130- Z140-		Z131- Z141-		Z132- Z142-	
ambient lighting Z909-0016 transformer Z915-0000 underframe Z848-.05 underframe lighting Z911-0005 cable flap Z840-0000		2x set of 1 LED lighting Z901-0001 à ambient lighting Z909-0016 transformer Z915-0000 underframe Z848-.05 underframe lighting Z911-0005 cable flap Z840-0000		composed of: at T 43 cm: 2x Z173 at T 53 cm: 2x Z183 ambient lighting Z909-0016 transformer Z915-0000 underframe Z848-.05 underframe lighting Z911-0005 cable flap Z840-0000	

LOWBOARD X4		LOWBOARD X4		LOWBOARD X4	
2 full pull out drawers assembled		2 doors 2 wood shelves, adjustable 2 full pull out drawers, centre assembled		2 doors 2 wood shelves, adjustable 1 full pull out drawer, centre assembled	
W 124 cm H 60 cm D 43/53 cm		W 188 cm H 60 cm D 43/53 cm		W 188 cm H 60 cm D 43/53 cm	
					
inside measurements glass compartment: 2x WxHxD 565x159x383 mm		inside measurements glass compartment: 2x WxHxD 565x159x383 mm		inside measurements glass compartment: WxHxD 565x159x383 mm	
composed of: at T 43 cm: 2x Z175 at T 53 cm: 2x Z185		composed of: at T 43 cm: 2x Z173, Z174 at T 53 cm: 2x Z183, Z184		composed of: at T 43 cm: 2x Z173, Z175 at T 53 cm: 2x Z183, Z185	
order no.: <b>Z133-0300</b>   D 43 cm <b>Z143-0300</b>   D 53 cm		order no.: <b>Z134-0300</b>   D 43 cm <b>Z144-0300</b>   D 53 cm		order no.: <b>Z135-0300</b>   D 43 cm <b>Z145-0300</b>   D 53 cm	
Z133- Z143-		Z134- Z144-		Z135- Z145-	
2x set of 1 LED lighting Z901-0001 à ambient lighting Z909-0016 transformer Z915-0000 underframe Z848-.05 underframe lighting Z911-0005 cable flap Z840-0000		ambient lighting Z909-0019 transformer Z915-0000 underframe Z848-.08 underframe lighting Z911-0008 cable flap Z840-0000		set of 1 LED lighting Z901-0001 ambient lighting Z909-0019 transformer Z915-0000 underframe Z848-.08 underframe lighting Z911-0008 cable flap Z840-0000	

LOWBOARD X4		LOWBOARD X4	
2 doors 2 wood shelves, adjustable 2 large full pull out drawers, in centre (divided) pre-assembled, 4 cases		2 doors 2 wood shelves, adjustable 1 large full pull out drawer (divided) pre-assembled, 4 cases	
W 252 cm H 60 cm D 43/53 cm		W 252 cm H 60 cm D 43/53 cm	
			
inside measurements glass compartment: 2x WxHxD 593x159x383 mm		inside measurements glass compartment: 2x WxHxD 593x159x383 mm	
composed of: at T 43 cm: 2x Z173, Z176 at T 53 cm: 2x Z183, Z186		composed of: at T 43 cm: 2x Z173, Z177 at T 53 cm: 2x Z183, Z187	
order no.: <b>Z136-0300</b>   D 43 cm <b>Z146-0300</b>   D 53 cm		order no.: <b>Z137-0300</b>   D 43 cm <b>Z147-0300</b>   D 53 cm	
Z136- Z146-		Z137- Z147-	
ambient lighting Z909-0022 transformer Z915-0000 underframe Z848-.11 underframe lighting Z911-0011 cable flap Z840-0000		2x set of 1 LED lighting Z901-0001 à ambient lighting Z909-0022 transformer Z915-0000 underframe Z848-.11 underframe lighting Z911-0011 cable flap Z840-0000	

HANGING CABINET X4		HANGING CABINET X4	
2 doors max. load up to 40 kg assembled	W 124 cm H 41 cm D 33 cm	2 doors 1 open space max. load up to 40 kg assembled	W 124 cm H 41 cm D 33 cm
			
order no.: <b>Z710-0300</b>		order no.: <b>Z711-0300L/R</b>	
Z710-		Z711-	
		set of 1 LED lighting	Z901-0001
		transformer	Z915-0000



# SYSTEM RECOMMENDATIONS

# PLAN

## 4 TIMELESS

### Finishes:


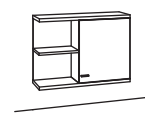
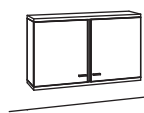
Please add the 5<sup>TH</sup> - 8<sup>TH</sup> number of the order-no. with the finish code (overview see page 3)



9<sup>TH</sup> number of the order-no.: L=pictured item | R=mirrored item

## 2 GRIDS

H 75 cm

## SYSTEM RECOMMENDATIONS

HANGING CABINET X4		HANGING CABINET X4		HANGING CABINET X4	
2 doors	W 104 cm	1 door	W 104 cm	2 doors	W 124 cm
1 wood shelf, adjustable	H 75 cm	1 wood shelf, adjustable	H 75 cm	2 wood shelves, adjustable	H 75 cm
1 wood shelf behind glass door, fixed	D 33 cm	1 open space with 1 wood shelf, fixed	D 33 cm	max. load up to 40 kg	D 33 cm
max. load up to 30 kg assembled		max. load up to 30 kg assembled		assembled	
					
composed of: Z750, Z753				composed of: 2x Z752	
order no.: <b>Z724-0300L/R</b>		order no.: <b>Z725-0300L/R</b>		order no.: <b>Z726-0300</b>	
Z724-		Z725-		Z726-	
2x set of 1 LED lighting transformer	Z901-0001 à Z915-0000	2x set of 1 LED lighting transformer	Z901-0001 à Z915-0000		

HANGING CABINET X4		HANGING CABINET X4	
2 doors	W 124 cm	2 doors	W 124 cm
2 wood shelves behind glass door, fixed	H 75 cm	2 wood shelves, adjustable	H 75 cm
max. load up to 40 kg assembled	D 33 cm	1 open space with 1 wood shelf, fixed	D 33 cm
		max. load up to 40 kg assembled	
			
composed of: 2x Z753			
order no.: <b>Z727-0300</b>		order no.: <b>Z728-0300L/R</b>	
Z727-		Z728-	
4x set of 1 LED lighting transformer	Z901-0001 à Z915-0000	2x set of 1 LED lighting transformer	Z901-0001 à Z915-0000

# SYSTEM RECOMMENDATIONS

# PLAN

## 4 TIMELESS

### Finishes:




Please add the 5<sup>TH</sup> - 8<sup>TH</sup> number of the order-no. with the finish code (overview see page 3)


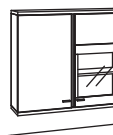

9<sup>TH</sup> number of the order-no.: L=pictured item | R=mirrored item


### 3 GRIDS

H 109 cm

### SYSTEM RECOMMENDATIONS

HANGING CABINET X4		HANGING CABINET X4		HANGING CABINET X4	
1 door 1 wood shelf behind glass door, fixed max. load up to 30 kg assembled	W 40 cm H 109 cm D 33 cm	1 door 1 wood shelf behind glass door, fixed max. load up to 30 kg assembled	W 60 cm H 109 cm D 33 cm	2 doors 2 wood shelves, adjustable 1 wood shelf behind glass door, fixed max. load up to 40 kg assembled	W 104 cm H 109 cm D 33 cm
					
order no.: <b>Z731-0300L/R</b>		order no.: <b>Z733-0300L/R</b>		composed of: Z760, Z763	
Z731-		Z733-		order no.: <b>Z734-0300L/R</b>	
2x set of 1 LED lighting transformer	Z901-0001 à Z915-0000	2x set of 1 LED lighting transformer	Z901-0001 à Z915-0000	Z734-	
				2x set of 1 LED lighting transformer	Z901-0001 à Z915-0000

HANGING CABINET X4		HANGING CABINET X4		HANGING CABINET X4	
1 door 2 wood shelves, adjustable open space with 2 wood shelves, fixed max. load up to 40 kg assembled	W 104 cm H 109 cm D 33 cm	2 doors 2 wood shelves, adjustable 1 wood shelf behind glass door, fixed max. load up to 40 kg assembled	W 124 cm H 109 cm D 33 cm	2 doors 2 wood shelves behind glass door, fixed max. load up to 40 kg assembled	W 124 cm H 109 cm D 33 cm
					
order no.: <b>Z735-0300L/R</b>		composed of: Z762, Z763		composed of: 2x Z763	
Z735-		order no.: <b>Z736-0300L/R</b>		order no.: <b>Z737-0300</b>	
3x set of 1 LED lighting transformer	Z901-0001 à Z915-0000	Z736-		Z737-	
		2x set of 1 LED lighting transformer	Z901-0001 à Z915-0000	4x set of 1 LED lighting transformer	Z901-0001 à Z915-0000

HANGING CABINET X4	
2 doors 4 wood shelves, adjustable 1 open space with 2 wood shelves, fixed max. load up to 40 kg assembled	W 124 cm H 109 cm D 33 cm
	
order no.: <b>Z738-0300L/R</b>	
Z738-	
3x set of 1 LED lighting transformer	Z901-0001 à Z915-0000

# SYSTEM RECOMMENDATIONS

# PLAN

## 4 TIMELESS

### Finishes:

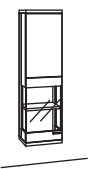
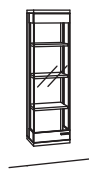
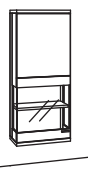
Please add the 5<sup>TH</sup> - 8<sup>TH</sup> number of the order-no. with the finish code (overview see page 3)


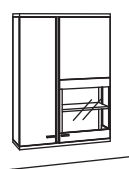

9<sup>TH</sup> number of the order-no.: L=pictured item | R=mirrored item

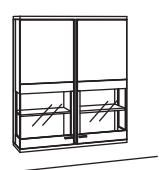


## 4 GRIDS

H 143 cm

## SYSTEM RECOMMENDATIONS

HANGING CABINET X4		HANGING CABINET X4		HANGING CABINET X4	
1 door 1 wood shelf, adjustable 1 wood shelf behind glass door, fixed max. load up to 30 kg assembled	W 40 cm H 143 cm D 33 cm	1 door 3 wood shelves behind glass door, fixed max. load up to 30 kg assembled	W 40 cm H 143 cm D 33 cm	1 door 1 wood shelf, adjustable 1 wood shelf behind glass door, fixed max. load up to 30 kg assembled	W 60 cm H 143 cm D 33 cm
					
order no.: <b>Z741-0300L/R</b>		order no.: <b>Z742-0300L/R</b>		order no.: <b>Z743-0300L/R</b>	
Z741-		Z742-		Z743-	
2x set of 1 LED lighting transformer	Z901-0001 à Z915-0000	4x set of 1 LED lighting transformer	Z901-0001 à Z915-0000	2x set of 1 LED lighting transformer	Z901-0001 à Z915-0000

HANGING CABINET X4		HANGING CABINET X4		HANGING CABINET X4	
2 doors 6 wood shelves behind glass, fixed max. load up to 40 kg assembled	W 84 cm H 143 cm D 33 cm	2 doors 3 wood shelves, adjustable 1 fixed shelf 1 wood shelf behind glass door, fixed max. load up to 40 kg assembled	W 104 cm H 143 cm D 33 cm	2 doors 2 wood shelves, adjustable 1 fixed shelf 3 wood shelves behind glass door, fixed max. load up to 40 kg assembled	W 104 cm H 143 cm D 33 cm
					
composed of: 2x Z772		composed of: Z770, Z773		composed of: Z770, Z774	
order no.: <b>Z745-0300</b>		order no.: <b>Z746-0300L/R</b>		order no.: <b>Z747-0300L/R</b>	
Z745-		Z746-		Z747-	
8x set of 1 LED lighting transformer	Z901-0001 à Z915-0000	2x set of 1 LED lighting transformer	Z901-0001 à Z915-0000	4x set of 1 LED lighting transformer	Z901-0001 à Z915-0000

HANGING CABINET X4		HANGING CABINET X4		HANGING CABINET X4	
2 doors 2 wood shelves, adjustable 2 wood shelves behind glass door, fixed max. load up to 40 kg assembled	W 124 cm H 143 cm D 33 cm	2 doors 6 wood shelves behind glass door, fixed max. load up to 40 kg assembled	W 124 cm H 143 cm D 33 cm	2 doors 4 wood shelves, adjustable 2 fixed shelves 1 open space with 3 wood shelves, fixed max. load up to 40 kg assembled	W 124 cm H 143 cm D 33 cm
					
composed of: 2x Z773		composed of: 2x Z774			
order no.: <b>Z748-0300</b>		order no.: <b>Z749-0300</b>		order no.: <b>Z744-0300L/R</b>	
Z748-		Z749-		Z744-	
4x set of 1 LED lighting transformer	Z901-0001 à Z915-0000	8x set of 1 LED lighting transformer	Z901-0001 à Z915-0000	4x set of 1 LED lighting transformer	Z901-0001 à Z915-0000

# SYSTEM RECOMMENDATIONS

# PLAN

 4 TIMELESS

## Finishes:


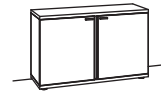
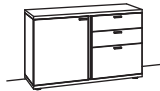
Please add the 5<sup>TH</sup> - 8<sup>TH</sup> number of the order-no. with the finish code (overview see page 3)

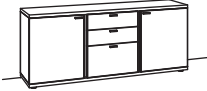
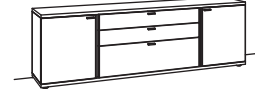
9<sup>TH</sup> number of the order-no.: L=pictured item | R=mirrored item

## 2 GRIDS

H 77 cm

## SYSTEM RECOMMENDATIONS

SIDEBOARD X4		SIDEBOARD X4		SIDEBOARD X4	
3 large full pull out drawers (divided) assembled		2 doors 2 wood shelves, adjustable assembled		1 door 1 wood shelf, adjustable 3 full pull out drawers assembled	
W 124 cm H 77 cm D 43 cm		W 124 cm H 77 cm D 43 cm		W 124 cm H 77 cm D 43 cm	
					
order no.: <b>Z204-0300</b>		composed of: 2x Z252 order no.: <b>Z205-0300</b>		composed of: Z252, Z253 order no.: <b>Z206-0300L/R</b>	
Z204-		Z205-		Z206-	
ambient lighting	Z909-0027	ambient lighting	Z909-0027	ambient lighting	Z909-0027
transformer	Z915-0000	transformer	Z915-0000	transformer	Z915-0000
underframe	Z848-.05	underframe	Z848-.05	underframe	Z848-.05
underframe lighting	Z911-0005	underframe lighting	Z911-0005	underframe lighting	Z911-0005

SIDEBOARD X4		SIDEBOARD X4	
2 doors 2 wood shelves, adjustable 3 full pull out drawers (divided) assembled		2 doors 2 wood shelves, adjustable 3 large full pull out drawers (divided) pre-assembled, 4 cases	
W 188 cm H 77 cm D 43 cm		W 252 cm H 77 cm D 43 cm	
			
composed of: 2x Z252, Z253 order no.: <b>Z207-0300</b>		composed of: 2x Z252, Z254 order no.: <b>Z208-0300</b>	
Z207-		Z208-	
ambient lighting	Z909-0030	ambient lighting	Z909-0033
transformer	Z915-0000	transformer	Z915-0000
underframe	Z848-.08	underframe	Z848-.11
underframe lighting	Z911-0008	underframe lighting	Z911-0011



# SYSTEM RECOMMENDATIONS

# PLAN

 4 TIMELESS

## Finishes:

Please add the 5<sup>TH</sup> - 8<sup>TH</sup> number of the order-no. with the finish code (overview see page 3)

9<sup>TH</sup> number of the order-no.: L=pictured item | R=mirrored item

## 3 GRIDS

H 111 cm

## SYSTEM RECOMMENDATIONS

### SIDEBOARD X4

4 large full pull out drawers (divided) assembled

W 124 cm  
H 111 cm  
D 43 cm



order no.: **Z306-0300**

Z306-	
ambient lighting	Z909-0038
transformer	Z915-0000
underframe	Z848-.05
underframe lighting	Z911-0005

### SIDEBOARD X4

1 door  
2 wood shelf, adjustable  
4 full pull out drawers assembled

W 124 cm  
H 111 cm  
D 43 cm



composed of: Z352, Z354

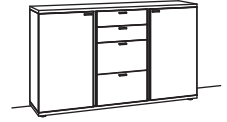
order no.: **Z307-0300L/R**

Z307-	
ambient lighting	Z909-0038
transformer	Z915-0000
underframe	Z848-.05
underframe lighting	Z911-0005

### SIDEBOARD X4

2 doors  
4 wood shelves, adjustable  
4 full pull out drawers pre-assembled, 4 cases

W 188 cm  
H 111 cm  
D 43 cm



composed of: 2x Z352, Z354

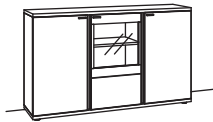
order no.: **Z308-0300**

Z308-	
ambient lighting	Z909-0041
transformer	Z915-0000
underframe	Z848-.08
underframe lighting	Z911-0008

### SIDEBOARD X4

3 doors  
4 wood shelves, adjustable  
1 wood shelf behind glass door, fixed  
pre-assembled, 4 cases

W 188 cm  
H 111 cm  
D 43 cm



composed of: 2x Z352, Z355

order no.: **Z309-0300L/R**

Z309-	
2x set of 1 LED lighting	Z901-0001 à
ambient lighting	Z909-0041
transformer	Z915-0000
underframe	Z848-.08
underframe lighting	Z911-0008

### SIDEBOARD X4

2 doors  
2 wood shelves behind glass door, fixed  
4 full pull out drawers pre-assembled, 4 cases

W 188 cm  
H 111 cm  
D 43 cm



composed of: 2x Z355, Z354

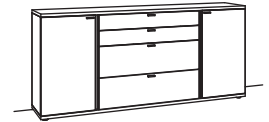
order no.: **Z310-0300**

Z310-	
4x set of 1 LED lighting	Z901-0001 à
ambient lighting	Z909-0041
transformer	Z915-0000
underframe	Z848-.08
underframe lighting	Z911-0008

### SIDEBOARD X4

2 doors  
4 wood shelves, adjustable  
4 large full pull out drawers (divided)  
pre-assembled, 4 cases

W 252 cm  
H 111 cm  
D 43 cm



composed of: 2x Z352, Z356

order no.: **Z311-0300**

Z311-	
ambient lighting	Z909-0044
transformer	Z915-0000
underframe	Z848-.11
underframe lighting	Z911-0011

# SYSTEM RECOMMENDATIONS

# PLAN

## 4 TIMELESS

### Finishes:

Please add the 5<sup>TH</sup> - 8<sup>TH</sup> number of the order-no. with the finish code  
(overview see page 3)

9<sup>TH</sup> number of the order-no.: L=pictured item | R=mirrored item

## 4 GRIDS

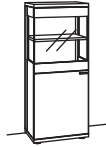
H 145 cm

## SYSTEM RECOMMENDATIONS

### HIGHBOARD X4

1 door  
1 wood shelf, adjustable  
1 wood shelf behind glass door, fixed  
assembled

W 60 cm  
H 145 cm  
D 43 cm



order no.: **Z403-0300L/R**  
Z403-

2x set of 1 LED lighting	Z901-0001 à
ambient lighting	Z909-0046
transformer	Z915-0000
underframe	Z848-..02
underframe lighting	Z911-0002

### HIGHBOARD X4

1 door  
1 wood shelf behind glass door, fixed  
3 full pull out drawers  
assembled

W 60 cm  
H 145 cm  
D 43 cm



order no.: **Z404-0300L/R**  
Z404-

2x set of 1 LED lighting	Z901-0001 à
ambient lighting	Z909-0046
transformer	Z915-0000
underframe	Z848-..02
underframe lighting	Z911-0002

### HIGHBOARD X4

2 doors  
3 wood shelves, adjustable  
1 fixed shelf  
1 wood shelf behind glass door, fixed  
pre-assembled, 3 cases

W 104 cm  
H 145 cm  
D 43 cm



composed of: Z453, Z450

order no.: **Z405-0300L/R**  
Z405-

2x set of 1 LED lighting	Z901-0001 à
ambient lighting	Z909-0048
transformer	Z915-0000
underframe	Z848-..04
underframe lighting	Z911-0004

### HIGHBOARD X4

2 doors  
3 wood shelves, adjustable  
3 full pull out drawers  
pre-assembled, 3 cases

W 124 cm  
H 145 cm  
D 43 cm



composed of: Z451, Z452

order no.: **Z407-0300L/R**  
Z407-

ambient lighting	Z909-0049
transformer	Z915-0000
underframe	Z848-..05
underframe lighting	Z911-0005

### HIGHBOARD X4

2 doors  
2 wood shelves, adjustable  
1 wood shelf behind glass door, fixed  
3 full pull out drawers  
pre-assembled, 3 cases

W 124 cm  
H 145 cm  
D 43 cm



composed of: Z453, Z452

order no.: **Z408-0300L/R**  
Z408-

2x set of 1 LED lighting	Z901-0001 à
ambient lighting	Z909-0049
transformer	Z915-0000
underframe	Z848-..05
underframe lighting	Z911-0005

### HIGHBOARD X4

2 doors  
2 wood shelves, adjustable  
2 wood shelves behind glass door, fixed  
pre-assembled, 3 cases

W 124 cm  
H 145 cm  
D 43 cm



composed of: 2x Z453

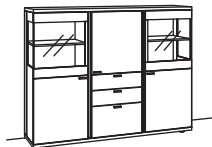
order no.: **Z409-0300**  
Z409-

4x set of 1 LED lighting	Z901-0001 à
ambient lighting	Z909-0049
transformer	Z915-0000
underframe	Z848-..05
underframe lighting	Z911-0005

### HIGHBOARD X4

3 doors  
3 wood shelves, adjustable  
2 wood shelves behind glass door, fixed  
3 full pull out drawers  
pre-assembled, 4 cases

W 188 cm  
H 145 cm  
D 43 cm



composed of: 2x Z453, Z452

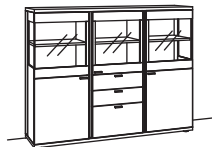
order no.: **Z410-0300L/R**  
Z410-

4x set of 1 LED lighting	Z901-0001 à
ambient lighting	Z909-0052
transformer	Z915-0000
underframe	Z848-..08
underframe lighting	Z911-0008

### HIGHBOARD X4

3 doors  
2 wood shelves, adjustable  
3 wood shelves behind glass door, fixed  
3 full pull out drawers  
pre-assembled, 4 cases

W 188 cm  
H 145 cm  
D 43 cm



composed of: 2x Z453, Z454

order no.: **Z411-0300L/R**  
Z411-

6x set of 1 LED lighting	Z901-0001 à
ambient lighting	Z909-0052
transformer	Z915-0000
underframe	Z848-..08
underframe lighting	Z911-0008

# SYSTEM RECOMMENDATIONS

# PLAN

 4 TIMELESS

## Finishes:




Please add the 5<sup>TH</sup> - 8<sup>TH</sup> number of the order-no. with the finish code (overview see page 3)



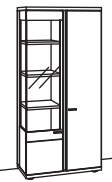
9<sup>TH</sup> number of the order-no.: L=pictured item | R=mirrored item


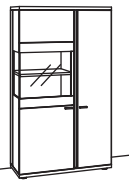

## 5 GRIDS

H 179 cm

## SYSTEM RECOMMENDATIONS

CABINET X4		CABINET X4		CABINET X4	
1 door 1 wood shelf, adjustable 1 wood shelf behind glass door, fixed assembled		1 door 1 wood shelf behind glass door, fixed 3 full pull out drawers assembled		1 door 1 wood shelf, adjustable 2 wood shelves behind glass door, fixed assembled	
					
W 60 cm H 179 cm D 43 cm		W 60 cm H 179 cm D 43 cm		W 60 cm H 179 cm D 43 cm	
order no.:	<b>Z505-0300L/R</b>	order no.:	<b>Z506-0300L/R</b>	order no.:	<b>Z507-0300L/R</b>
Z505-		Z506-		Z507-	
2x set of 1 LED lighting	Z901-0001 à	2x set of 1 LED lighting	Z901-0001 à	3x set of 1 LED lighting	Z901-0001 à
ambient lighting	Z909-0057	ambient lighting	Z909-0057	ambient lighting	Z909-0057
transformer	Z915-0000	transformer	Z915-0000	transformer	Z915-0000
underframe	Z848-..02	underframe	Z848-..02	underframe	Z848-..02
underframe lighting	Z911-0002	underframe lighting	Z911-0002	underframe lighting	Z911-0002

CABINET X4		CABINET X4		CABINET X4	
1 door 3 wood shelf behind glass door, fixed assembled		2 doors 4 wood shelves, adjustable 1 fixed shelf 1 wood shelf behind glass door, fixed pre-assembled, 3 cases		2 doors 3 wood shelves, adjustable 1 fixed shelf 3 wood shelves, behind glass door, fixed pre-assembled, 3 cases	
					
W 60 cm H 179 cm D 43 cm		W 84 cm H 179 cm D 43 cm		W 84 cm H 179 cm D 43 cm	
order no.:	<b>Z508-0300L/R</b>	order no.:	<b>Z509-0300L/R</b>	order no.:	<b>Z510-0300L/R</b>
Z508-		Z509-		Z510-	
4x set of 1 LED lighting	Z901-0001 à	2x set of 1 LED lighting	Z901-0001 à	4x set of 1 LED lighting	Z901-0001 à
ambient lighting	Z909-0057	ambient lighting	Z909-0058	ambient lighting	Z909-0058
transformer	Z915-0000	transformer	Z915-0000	transformer	Z915-0000
underframe	Z848-..02	underframe	Z848-..03	underframe	Z848-..03
underframe lighting	Z911-0002	underframe lighting	Z911-0003	underframe lighting	Z911-0003

CABINET X4		CABINET X4		CABINET X4	
2 doors 6 wood shelves behind glass door, fixed pre-assembled, 3 cases		2 doors 4 wood shelves, adjustable 1 fixed shelf 1 glass shelf behind glass door, fixed pre-assembled, 3 cases		2 doors 3 wood shelves, adjustable 1 wood shelf behind glass door, fixed 3 full pull out drawers pre-assembled, 3 cases	
					
W 84 cm H 179 cm D 43 cm		W 104 cm H 179 cm D 43 cm		W 124 cm H 179 cm D 43 cm	
order no.:	<b>Z511-0300</b>	order no.:	<b>Z512-0300L/R</b>	order no.:	<b>Z513-0300L/R</b>
Z511-		Z512-		Z513-	
8x set of 1 LED lighting	Z901-0001 à	2x set of 1 LED lighting	Z901-0001 à	2x set of 1 LED lighting	Z901-0001 à
ambient lighting	Z909-0058	ambient lighting	Z909-0059	ambient lighting	Z909-0060
transformer	Z915-0000	transformer	Z915-0000	transformer	Z915-0000
extension cord	Z916-0000	underframe	Z848-..04	underframe	Z848-..05
underframe	Z848-..03	underframe lighting	Z911-0004	underframe lighting	Z911-0005
underframe lighting	Z911-0003				

# SYSTEM RECOMMENDATIONS

# PLAN

4 TIMELESS

## Finishes:

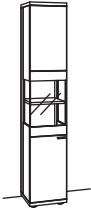

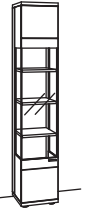
Please add the 5<sup>TH</sup> - 8<sup>TH</sup> number of the order-no. with the finish code (overview see page 3)




9<sup>TH</sup> number of the order-no.: L=pictured item | R=mirrored item

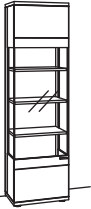


## 6 GRIDS

H 214 cm

## SYSTEM RECOMMENDATIONS

CABINET X4		CABINET X4		CABINET X4	
1 door	W 40 cm	1 door	W 40 cm	1 door	W 40 cm
2 wood shelves, adjustable	H 214 cm	1 wood shelf, adjustable	H 214 cm	3 wood shelves behind glass door, fixed	H 214 cm
1 wood shelf behind glass door, fixed	D 43 cm	3 wood shelves behind glass door, fixed	D 43 cm	assembled	D 43 cm
assembled		assembled		assembled	
order no.: <b>Z601-0300L/R</b>		order no.: <b>Z602-0300L/R</b>		order no.: <b>Z603-0300L/R</b>	
Z601-		Z602-		Z603-	
2x set of 1 LED lighting	Z901-0001 à	4x set of 1 LED lighting	Z901-0001 à	4x set of 1 LED lighting	Z901-0001 à
ambient lighting	Z909-0067	ambient lighting	Z909-0067	ambient lighting	Z909-0067
transformer	Z915-0000	transformer	Z915-0000	transformer	Z915-0000

CABINET X4		CABINET X4		CABINET X4	
1 door	W 60 cm	1 door	W 60 cm	1 door	W 60 cm
2 wood shelves, adjustable	H 214 cm	1 wood shelf, adjustable	H 214 cm	1 wood shelf, adjustable	H 214 cm
1 wood shelf behind glass door, fixed	D 43 cm	1 wood shelf behind glass door, fixed	D 43 cm	3 wood shelves behind glass door, fixed	D 43 cm
assembled		3 full pull out drawers		assembled	
order no.: <b>Z604-0300L/R</b>		order no.: <b>Z605-0300L/R</b>		order no.: <b>Z606-0300L/R</b>	
Z604-		Z605-		Z606-	
2x set of 1 LED lighting	Z901-0001 à	2x set of 1 LED lighting	Z901-0001 à	4x set of 1 LED lighting	Z901-0001 à
ambient lighting	Z909-0068	ambient lighting	Z909-0068	ambient lighting	Z909-0068
transformer	Z915-0000	transformer	Z915-0000	transformer	Z915-0000
underframe	Z848-.02	underframe	Z848-.02	underframe	Z848-.02
underframe lighting	Z911-0002	underframe lighting	Z911-0002	underframe lighting	Z911-0002

CABINET X4		CABINET X4		CABINET X4	
1 door	W 60 cm	2 doors	W 84 cm	2 doors	W 84 cm
3 wood shelves behind glass door, fixed	H 214 cm	4 wood shelves, adjustable	H 214 cm	5 wood shelves, adjustable	H 214 cm
assembled	D 43 cm	2 wood shelves behind glass, fixed	D 43 cm	2 fixed shelves	D 43 cm
		pre-assembled, 3 cases		1 wood shelf behind glass, fixed	
order no.: <b>Z607-0300L/R</b>		composed of: 2x Z651	order no.: <b>Z608-0300</b>	pre-assembled, 3 cases	composed of: Z651, Z650
Z607-			Z608-		
4x set of 1 LED lighting	Z901-0001 à	4x set of 1 LED lighting	Z901-0001 à	2x set of 1 LED lighting	Z901-0001 à
ambient lighting	Z909-0068	ambient lighting	Z909-0069	ambient lighting	Z909-0069
transformer	Z915-0000	transformer	Z915-0000	transformer	Z915-0000
underframe	Z848-.02	underframe	Z848-.03	underframe	Z848-.03
underframe lighting	Z911-0002	underframe lighting	Z911-0003	underframe lighting	Z911-0003



# SYSTEM RECOMMENDATIONS

# PLAN

## 4 TIMELESS

### Finishes:

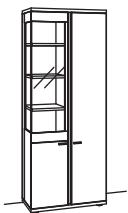
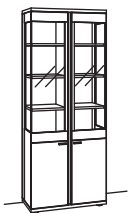

Please add the 5<sup>TH</sup> - 8<sup>TH</sup> number of the order-no. with the finish code  
(overview see page 3)

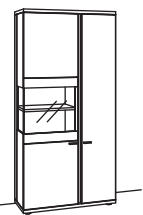
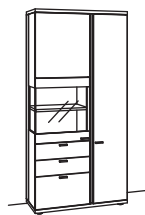
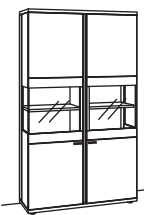
9<sup>TH</sup> number of the order-no.: L=pictured item | R=mirrored item

## 6 GRIDS

H 214 cm

## SYSTEM RECOMMENDATIONS

CABINET X4		CABINET X4		CABINET X4																																					
2 doors 4 wood shelves, adjustable 2 fixed shelves 3 wood shelves behind glass door, fixed pre-assembled, 3 cases		2 doors 2 wood shelves, adjustable 6 wood shelves behind glass door, fixed pre-assembled, 3 cases		2 doors 6 wood shelves behind glass door, fixed pre-assembled, 3 cases																																					
																																									
composed of: Z652, Z650 order no.: <b>Z610-0300L/R</b>		composed of: 2x Z652 order no.: <b>Z611-0300</b>		composed of: 2x Z653 order no.: <b>Z612-0300</b>																																					
<table border="1"> <tr><td>Z610-</td><td></td></tr> <tr><td>4x set of 1 LED lighting</td><td>Z901-0001 à</td></tr> <tr><td>ambient lighting</td><td>Z909-0069</td></tr> <tr><td>transformer</td><td>Z915-0000</td></tr> <tr><td>underframe</td><td>Z848-..03</td></tr> <tr><td>underframe lighting</td><td>Z911-0003</td></tr> </table>		Z610-		4x set of 1 LED lighting	Z901-0001 à	ambient lighting	Z909-0069	transformer	Z915-0000	underframe	Z848-..03	underframe lighting	Z911-0003	<table border="1"> <tr><td>Z611-</td><td></td></tr> <tr><td>8x set of 1 LED lighting</td><td>Z901-0001 à</td></tr> <tr><td>ambient lighting</td><td>Z909-0069</td></tr> <tr><td>transformer</td><td>Z915-0000</td></tr> <tr><td>underframe</td><td>Z848-..03</td></tr> <tr><td>underframe lighting</td><td>Z911-0003</td></tr> </table>		Z611-		8x set of 1 LED lighting	Z901-0001 à	ambient lighting	Z909-0069	transformer	Z915-0000	underframe	Z848-..03	underframe lighting	Z911-0003	<table border="1"> <tr><td>Z612-</td><td></td></tr> <tr><td>8x set of 1 LED lighting</td><td>Z901-0001 à</td></tr> <tr><td>ambient lighting</td><td>Z909-0069</td></tr> <tr><td>transformer</td><td>Z915-0000</td></tr> <tr><td>underframe</td><td>Z848-..03</td></tr> <tr><td>underframe lighting</td><td>Z911-0003</td></tr> </table>		Z612-		8x set of 1 LED lighting	Z901-0001 à	ambient lighting	Z909-0069	transformer	Z915-0000	underframe	Z848-..03	underframe lighting	Z911-0003
Z610-																																									
4x set of 1 LED lighting	Z901-0001 à																																								
ambient lighting	Z909-0069																																								
transformer	Z915-0000																																								
underframe	Z848-..03																																								
underframe lighting	Z911-0003																																								
Z611-																																									
8x set of 1 LED lighting	Z901-0001 à																																								
ambient lighting	Z909-0069																																								
transformer	Z915-0000																																								
underframe	Z848-..03																																								
underframe lighting	Z911-0003																																								
Z612-																																									
8x set of 1 LED lighting	Z901-0001 à																																								
ambient lighting	Z909-0069																																								
transformer	Z915-0000																																								
underframe	Z848-..03																																								
underframe lighting	Z911-0003																																								

CABINET X4		CABINET X4		CABINET X4																																					
2 doors 5 wood shelves, adjustable 2 fixed shelves 1 wood shelf behind glass door, fixed pre-assembled, 3 cases		2 doors 4 wood shelves, adjustable 2 fixed shelves 1 wood shelf behind glass door, fixed 3 full pull out drawers pre-assembled, 3 cases		2 doors 4 wood shelves, adjustable 2 wood shelves behind glass door, fixed pre-assembled, 3 cases																																					
																																									
composed of: Z654, Z650 order no.: <b>Z613-0300L/R</b>		composed of: Z655, Z650 order no.: <b>Z614-0300L/R</b>		composed of: 2x Z654 order no.: <b>Z615-0300</b>																																					
<table border="1"> <tr><td>Z613-</td><td></td></tr> <tr><td>2x set of 1 LED lighting</td><td>Z901-0001 à</td></tr> <tr><td>ambient lighting</td><td>Z909-0070</td></tr> <tr><td>transformer</td><td>Z915-0000</td></tr> <tr><td>underframe</td><td>Z848-..04</td></tr> <tr><td>underframe lighting</td><td>Z911-0004</td></tr> </table>		Z613-		2x set of 1 LED lighting	Z901-0001 à	ambient lighting	Z909-0070	transformer	Z915-0000	underframe	Z848-..04	underframe lighting	Z911-0004	<table border="1"> <tr><td>Z614-</td><td></td></tr> <tr><td>2x set of 1 LED lighting</td><td>Z901-0001 à</td></tr> <tr><td>ambient lighting</td><td>Z909-0070</td></tr> <tr><td>transformer</td><td>Z915-0000</td></tr> <tr><td>underframe</td><td>Z848-..04</td></tr> <tr><td>underframe lighting</td><td>Z911-0004</td></tr> </table>		Z614-		2x set of 1 LED lighting	Z901-0001 à	ambient lighting	Z909-0070	transformer	Z915-0000	underframe	Z848-..04	underframe lighting	Z911-0004	<table border="1"> <tr><td>Z615-</td><td></td></tr> <tr><td>4x set of 1 LED lighting</td><td>Z901-0001 à</td></tr> <tr><td>ambient lighting</td><td>Z909-0071</td></tr> <tr><td>transformer</td><td>Z915-0000</td></tr> <tr><td>underframe</td><td>Z848-..05</td></tr> <tr><td>underframe lighting</td><td>Z911-0005</td></tr> </table>		Z615-		4x set of 1 LED lighting	Z901-0001 à	ambient lighting	Z909-0071	transformer	Z915-0000	underframe	Z848-..05	underframe lighting	Z911-0005
Z613-																																									
2x set of 1 LED lighting	Z901-0001 à																																								
ambient lighting	Z909-0070																																								
transformer	Z915-0000																																								
underframe	Z848-..04																																								
underframe lighting	Z911-0004																																								
Z614-																																									
2x set of 1 LED lighting	Z901-0001 à																																								
ambient lighting	Z909-0070																																								
transformer	Z915-0000																																								
underframe	Z848-..04																																								
underframe lighting	Z911-0004																																								
Z615-																																									
4x set of 1 LED lighting	Z901-0001 à																																								
ambient lighting	Z909-0071																																								
transformer	Z915-0000																																								
underframe	Z848-..05																																								
underframe lighting	Z911-0005																																								

**PLANNING ELEMENTS**

**PLAN** ✕

✕4\_TIMELESS

**ALSO AVAILABLE AS FREE-STANDING SINGLE ITEMS AT THE SAME PRICE**

Please always add an sketch to your order.

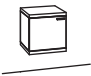
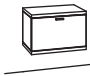
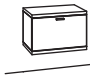
**Assembled items have a one-piece top leaf end-to-end up until a length of 252 cm!**




**Finishes:** Please add the 5<sup>TH</sup> - 8<sup>TH</sup> number of the order-no. with the finish code (overview see page 3)

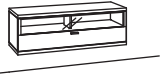
**9<sup>TH</sup> number of the order-no.:** L=pictured item | R=mirrored item



**1 GRID** H 41 cm **HANGING CABINETS**

PLANNING ELEMENT X4		PLANNING ELEMENT X4		PLANNING ELEMENT X4	
1 door max. load up to 30 kg assembled	W 40 cm H 41 cm D 43/53 cm	1 drop flap max. load up to 30 kg assembled	W 60 cm H 41 cm D 43/53 cm	1 full pull out drawer max. load up to 30 kg assembled	W 60 cm H 41 cm D 43/53 cm
					
order no.: <b>Z076-0300L/R</b>   D 43 cm <b>Z086-0300L/R</b>   D 53 cm		order no.: <b>Z070-0300</b>   D 43 cm <b>Z080-0300</b>   D 53 cm		order no.: <b>Z071-0300</b>   D 43 cm <b>Z081-0300</b>   D 53 cm	
Z076-		Z070-		Z071-	
Z086-		Z080-		Z081-	
cable flap	Z840-0000	cable flap	Z840-0000	cable flap	Z840-0000

PLANNING ELEMENT X4		PLANNING ELEMENT X4		PLANNING ELEMENT X4	
1 full pull out drawer max. load up to 30 kg assembled	W 60 cm H 41 cm D 43/53 cm	1 large drop flap (space divided) max. load up to 40 kg assembled	W 124 cm H 41 cm D 43/53 cm	1 large drawer with full extension (divided) max. load up to 40 kg assembled	W 124 cm H 41 cm D 43/53 cm
inside measurements glass compartment: WxHxD 565x159x383(483) mm					
					
order no.: <b>Z072-0300</b>   D 43 cm <b>Z082-0300</b>   D 53 cm		order no.: <b>Z073-0300</b>   D 43 cm <b>Z083-0300</b>   D 53 cm		order no.: <b>Z074-0300</b>   D 43 cm <b>Z084-0300</b>   D 53 cm	
Z072-		Z073-		Z074-	
Z082-		Z083-		Z084-	
set of 1 LED lighting transformer	Z901-0001 Z915-0000	cable flap	Z840-0000	cable flap	Z840-0000
cable flap	Z840-0000				

PLANNING ELEMENT X4	
1 large full pull out drawer (divided) max. load up to 40 kg assembled	W 124 cm H 41 cm D 43/53 cm
inside measurements glass compartment: <b>2x</b> WxHxD 593x159x383(483) mm	
	
order no.: <b>Z075-0300</b>   D 43 cm <b>Z085-0300</b>   D 53 cm	
Z075-	
Z085-	
2x set of 1 LED lighting transformer	Z901-0001 à Z915-0000
cable flap	Z840-0000

**PLANNING ELEMENTS**

**PLAN** ✕

✕4\_TIMELESS

**ALSO AVAILABLE AS FREE-STANDING SINGLE ITEMS AT THE SAME PRICE**

Please always add a sketch to your order.

**Assembled items have a one-piece top leaf end-to-end up until a length of 252 cm!**

**Finishes:** Please add the 5<sup>TH</sup> - 8<sup>TH</sup> number of the order-no. with the finish code (overview see page 3)

**9<sup>TH</sup> number of the order-no.:** L=pictured item | R=mirrored item



**1 GRID** H 43 cm **STANDING CABINETS**

PLANNING ELEMENT X4	PLANNING ELEMENT X4	PLANNING ELEMENT X4
1 door assembled W 40 cm H 43 cm D 43/53 cm <div style="text-align: center; margin-top: 20px;"></div>	1 drop flap assembled W 60 cm H 43 cm D 43/53 cm <div style="text-align: center; margin-top: 20px;"></div>	1 full pull out drawer assembled W 60 cm H 43 cm D 43/53 cm <div style="text-align: center; margin-top: 20px;"></div>
order no.: <b>Z156-0300L/R</b>   D 43 cm <b>Z166-0300L/R</b>   D 53 cm	order no.: <b>Z150-0300</b>   D 43 cm <b>Z160-0300</b>   D 53 cm	order no.: <b>Z151-0300</b>   D 43 cm <b>Z161-0300</b>   D 53 cm
Z156- Z166-	Z150- Z160-	Z151- Z161-
ambient lighting           Z909-00..	ambient lighting           Z909-00..	ambient lighting           Z909-00..
transformer                 Z915-0000	transformer                 Z915-0000	transformer                 Z915-0000
cable flap                   Z840-0000	underframe                 Z848-....	underframe                 Z848-....
	underframe lighting       Z911-00..	underframe lighting       Z911-00..
	cable flap                   Z840-0000	cable flap                   Z840-0000

PLANNING ELEMENT X4	PLANNING ELEMENT X4	PLANNING ELEMENT X4
1 full pull out drawer assembled W 60 cm H 43 cm D 43/53 cm inside measurements glass compartment: WxHxD 565x159x383 mm <div style="text-align: center; margin-top: 20px;"></div>	1 large drop flap (space divided) assembled W 124 cm H 43 cm D 43/53 cm <div style="text-align: center; margin-top: 20px;"></div>	1 large full pull out drawer (divided) assembled W 124 cm H 43 cm D 43/53 cm <div style="text-align: center; margin-top: 20px;"></div>
order no.: <b>Z152-0300</b>   D 43 cm <b>Z162-0300</b>   D 53 cm	order no.: <b>Z153-0300</b>   D 43 cm <b>Z163-0300</b>   D 53 cm	order no.: <b>Z154-0300</b>   D 43 cm <b>Z164-0300</b>   D 53 cm
Z152- Z162-	Z153- Z163-	Z154- Z164-
set of 1 LED lighting       Z901-0001	ambient lighting           Z909-00..	ambient lighting           Z909-00..
ambient lighting           Z909-00..	transformer                 Z915-0000	transformer                 Z915-0000
transformer                 Z915-0000	underframe                 Z848-....	underframe                 Z848-....
underframe                 Z848-....	underframe lighting       Z911-00..	underframe lighting       Z911-00..
underframe lighting       Z911-00..	cable flap                   Z840-0000	cable flap                   Z840-0000
cable flap                   Z840-0000		

PLANNING ELEMENT X4	
1 large full pull out drawer (divided) assembled W 124 cm H 43 cm D 43/53 cm inside measurements glass compartment: <b>2x</b> WxHxD 593x159x383 mm <div style="text-align: center; margin-top: 20px;"></div>	
order no.: <b>Z155-0300</b>   D 43 cm <b>Z165-0300</b>   D 53 cm	
Z155- Z165-	
2x set of 1 LED lighting    Z901-0001 à	
ambient lighting           Z909-00..	
transformer                 Z915-0000	
underframe                 Z848-....	
underframe lighting       Z911-00..	
cable flap                   Z840-0000	

**PLANNING ELEMENTS**

**PLAN** ✕

✕4\_TIMELESS

**ALSO AVAILABLE AS FREE-STANDING SINGLE ITEMS AT THE SAME PRICE**

Please always add an sketch to your order.

**Assembled items have a one-piece top leaf end-to-end up until a length of 252 cm!**




**Finishes:** Please add the 5<sup>TH</sup> - 8<sup>TH</sup> number of the order-no. with the finish code (overview see page 3)

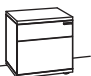

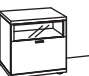
**9<sup>TH</sup> number of the order-no.:** L=pictured item | R=mirrored item





**1,5 GRIDS** H 60 cm

**STANDING CABINETS**

PLANNING ELEMENT X4		PLANNING ELEMENT X4		PLANNING ELEMENT X4	
1 door 1 wood shelf, adjustable assembled	W 40 cm H 60 cm D 43/53 cm	2 full pull out drawers assembled	W 40 cm H 60 cm D 43/53 cm	1 full pull out drawer assembled	W 40 cm H 60 cm D 43/53 cm
					
order no.: <b>Z170-0300L/R</b>   D 43 cm <b>Z180-0300L/R</b>   D 53 cm		order no.: <b>Z171-0300</b>   D 43 cm <b>Z181-0300</b>   D 53 cm		order no.: <b>Z172-0300</b>   D 43 cm <b>Z182-0300</b>   D 53 cm	
Z170- Z180-		Z171- Z181-		Z172- Z182-	
ambient lighting	Z909-00..	ambient lighting	Z909-00..	set of 1 LED lighting	Z901-0001
transformer	Z915-0000	transformer	Z915-0000	ambient lighting	Z909-00..
cable flap	Z840-0000	cable flap	Z840-0000	transformer	Z915-0000
				cable flap	Z840-0000

PLANNING ELEMENT X4		PLANNING ELEMENT X4		PLANNING ELEMENT X4	
1 door 1 wood shelf, adjustable assembled	W 60 cm H 60 cm D 43/53 cm	2 full pull out drawers assembled	W 60 cm H 60 cm D 43/53 cm	1 full pull out drawer assembled	W 60 cm H 60 cm D 43/53 cm
					
order no.: <b>Z173-0300L/R</b>   D 473 cm <b>Z183-0300L/R</b>   D 53 cm		order no.: <b>Z174-0300</b>   D 43 cm <b>Z184-0300</b>   D 53 cm		order no.: <b>Z175-0300</b>   D 43 cm <b>Z185-0300</b>   D 53 cm	
Z173- Z183-		Z174- Z184-		Z175- Z185-	
ambient lighting	Z909-00..	ambient lighting	Z909-00..	set of 1 LED lighting	Z901-0001
transformer	Z915-0000	transformer	Z915-0000	ambient lighting	Z909-00..
underframe	Z848-....	underframe	Z848-....	transformer	Z915-0000
underframe lighting	Z911-00..	underframe lighting	Z911-00..	underframe	Z848-....
cable flap	Z840-0000	cable flap	Z840-0000	underframe lighting	Z911-00..
				cable flap	Z840-0000

PLANNING ELEMENT X4		PLANNING ELEMENT X4	
2 large full pull out drawers (divided) assembled	W 124 cm H 60 cm D 43/53 cm	1 large full pull out drawer (divided) assembled	W 124 cm H 60 cm D 43/53 cm
			
order no.: <b>Z176-0300</b>   D 43 cm <b>Z186-0300</b>   D 53 cm		order no.: <b>Z177-0300</b>   D 43 cm <b>Z187-0300</b>   D 53 cm	
Z176- Z186-		Z177- Z187-	
ambient lighting	Z909-00..	2x set of 1 LED lighting	Z901-0001 à
transformer	Z915-0000	ambient lighting	Z909-00..
underframe	Z848-....	transformer	Z915-0000
underframe lighting	Z911-00..	underframe	Z848-....
cable flap	Z840-0000	underframe lighting	Z911-00..
		cable flap	Z840-0000

**PLANNING ELEMENTS**

**PLAN** ✕

✕4\_TIMELESS

**ALSO AVAILABLE AS FREE-STANDING SINGLE ITEMS AT THE SAME PRICE**

Please always add an sketch to your order.

**Assembled items have a one-piece top leaf end-to-end up until a length of 252 cm!**

**Finishes:** Please add the 5<sup>TH</sup> - 8<sup>TH</sup> number of the order-no. with the finish code (overview see page 3)

**9<sup>TH</sup> number of the order-no.:** L=pictured item | R=mirrored item



**2 GRIDS**

H 75 cm

**HANGING CABINETS**

PLANNING ELEMENT X4		PLANNING ELEMENT X4		PLANNING ELEMENT X4	
1 door 1 wood shelf, adjustable max. load up to 30 kg assembled	W 40 cm H 75 cm D 33 cm	1 door 1 wood shelf behind glass door, fixed max. load up to 30 kg assembled	W 40 cm H 75 cm D 33 cm	1 door 1 wood shelf, adjustable max. load up to 30 kg assembled	W 60 cm H 75 cm D 33 cm
order no.:	<b>Z750-0300L/R</b>	order no.:	<b>Z751-0300L/R</b>	order no.:	<b>Z752-0300L/R</b>
Z750-		Z751-		Z752-	
		2x set of 1 LED lighting transformer	Z901-0001 à Z915-0000		

PLANNING ELEMENT X4		PLANNING ELEMENT X4		PLANNING ELEMENT X4	
1 door 1 wood shelf behind glass door, fixed max. load up to 30 kg assembled	W 60 cm H 75 cm D 33 cm	1 door 1 wood shelf, adjustable 1 open space with 1 wood shelf, fixed max. load up to 40 kg assembled <b>Please note: side with shelf not attachable!</b>	W 104 cm H 75 cm D 33 cm	2 doors 2 wood shelves, adjustable 1 open space with 1 wood shelf, fixed max. load up to 40 kg assembled <b>Please note: side with shelf not attachable!</b>	W 124 cm H 75 cm D 33 cm
order no.:	<b>Z753-0300L/R</b>	order no.:	<b>Z754-0300L/R</b>	order no.:	<b>Z755-0300L/R</b>
Z753-		Z754-		Z755-	
2x set of 1 LED lighting transformer	Z901-0001 à Z915-0000	2x set of 1 LED lighting transformer	Z901-0001 à Z915-0000	2x set of 1 LED lighting transformer	Z901-0001 à Z915-0000



**PLANNING ELEMENTS**

**PLAN** ✕

✕4\_TIMELESS

**ALSO AVAILABLE AS FREE-STANDING SINGLE ITEMS AT THE SAME PRICE**

Please always add an sketch to your order.

**Assembled items have a one-piece top leaf end-to-end up until a length of 252 cm!**

**Finishes:** Please add the 5<sup>TH</sup> - 8<sup>TH</sup> number of the order-no. with the finish code (overview see page 3)

**9TH number of the order-no.:** L=pictured item | R=mirrored item



**3 GRIDS**

H 109 cm

**HANGING CABINETS**

PLANNING ELEMENT X4		PLANNING ELEMENT X4		PLANNING ELEMENT X4	
1 door 2 wood shelves, adjustable max. load up to 30 kg assembled	W 40 cm H 109 cm D 33 cm	1 door 1 wood shelf behind glass door, fixed max. load up to 30 kg assembled	W 40 cm H 109 cm D 33 cm	1 door 2 wood shelves, adjustable max. load up to 30 kg assembled	W 60 cm H 109 cm D 33 cm
order no.: <b>Z760-0300L/R</b>		order no.: <b>Z761-0300L/R</b>		order no.: <b>Z762-0300L/R</b>	
Z760-		Z761-		Z762-	
		2x set of 1 LED lighting transformer	Z901-0001 à Z915-0000		

PLANNING ELEMENT X4		PLANNING ELEMENT X4		PLANNING ELEMENT X4	
1 door 1 wood shelf behind glass door, fixed max. load up to 30 kg assembled	W 60 cm H 109 cm D 33 cm	1 door 2 wood shelves, adjustable 1 open space with 2 wood shelves, fixed max. load up to 40 kg assembled <b>Please note: side with shelf not attachable!</b>	W 104 cm H 109 cm D 33 cm	2 doors 4 wood shelves, adjustable 1 open space with 2 wood shelves, fixed max. load up to 40 kg assembled <b>Please note: side with shelf not attachable!</b>	W 124 cm H 109 cm D 33 cm
order no.: <b>Z763-0300L/R</b>		order no.: <b>Z764-0300L/R</b>		order no.: <b>Z765-0300L/R</b>	
Z763-		Z764-		Z765-	
2x set of 1 LED lighting transformer	Z901-0001 à Z915-0000	3x set of 1 LED lighting transformer	Z901-0001 à Z915-0000	3x set of 1 LED lighting transformer	Z901-0001 à Z915-0000

**PLANNING ELEMENTS**

**PLAN** ✕

✕4\_TIMELESS

**ALSO AVAILABLE AS FREE-STANDING SINGLE ITEMS AT THE SAME PRICE**

Please always add an sketch to your order.

**Assembled items have a one-piece top leaf end-to-end up until a length of 252 cm!**

**Finishes:** Please add the 5<sup>TH</sup> - 8<sup>TH</sup> number of the order-no. with the finish code (overview see page 3)

**9<sup>TH</sup> number of the order-no.:** L=pictured item | R=mirrored item



**4 GRIDS**

H 143 cm

**HANGING CABINETS**

PLANNING ELEMENT X4		PLANNING ELEMENT X4		PLANNING ELEMENT X4	
1 door 2 wood shelves, adjustable 1 fixed shelf max. load up to 30 kg assembled	W 40 cm H 143 cm D 33 cm	1 door 1 wood shelf, adjustable 1 wood shelf behind glass door, fixed max. load up to 30 kg assembled	W 40 cm H 143 cm D 33 cm	1 door 3 wood shelves behind glass door, fixed max. load up to 30 kg assembled	W 40 cm H 143 cm D 33 cm
order no.: <b>Z770-0300L/R</b>		order no.: <b>Z771-0300L/R</b>		order no.: <b>Z772-0300L/R</b>	
Z770-		Z771-		Z772-	
		2x set of 1 LED lighting Z901-0001 à transformer Z915-0000		4x set of 1 LED lighting Z901-0001 à transformer Z915-0000	

PLANNING ELEMENT X4		PLANNING ELEMENT X4		PLANNING ELEMENT X4	
1 door 1 wood shelf, adjustable 1 wood shelf behind glass door, fixed max. load up to 30 kg assembled	W 60 cm H 143 cm D 33 cm	1 door 3 wood shelves behind glass door, fixed max. load up to 30 kg assembled	W 60 cm H 143 cm D 33 cm	2 doors 4 wood shelves, adjustable 2 fixed shelves 1 open space with 3 wood shelves, fixed max. load up to 40 kg assembled <b>Please note: side with shelf not attachable!</b>	W 124 cm H 143 cm D 33 cm
order no.: <b>Z773-0300L/R</b>		order no.: <b>Z774-0300L/R</b>		order no.: <b>Z775-0300L/R</b>	
Z773-		Z774-		Z775-	
2x set of 1 LED lighting Z901-0001 à transformer Z915-0000		4x set of 1 LED lighting Z901-0001 à transformer Z915-0000		4x set of 1 LED lighting Z901-0001 à transformer Z915-0000	

**PLANNING ELEMENTS**

**PLAN** ✕

✕4\_TIMELESS

**ALSO AVAILABLE AS FREE-STANDING SINGLE ITEMS AT THE SAME PRICE**

Please always add a sketch to your order.

**Assembled items have a one-piece top leaf end-to-end up until a length of 252 cm!**

**Finishes:** Please add the 5<sup>TH</sup> - 8<sup>TH</sup> number of the order-no. with the finish code (overview see page 3)




**9<sup>TH</sup> number of the order-no.:** L=pictured item | R=mirrored item





**2 GRIDS**

H 77 cm

**STANDING CABINETS**

PLANNING ELEMENT X4		PLANNING ELEMENT X4		PLANNING ELEMENT X4	
1 door 1 wood shelf, adjustable assembled	W 40 cm H 77 cm D 43 cm	3 full pull out drawers assembled	W 40 cm H 77 cm D 43 cm	1 door 1 wood shelf, adjustable assembled	W 60 cm H 77 cm D 43 cm
					
order no.:	<b>Z250-0300L/R</b>	order no.:	<b>Z251-0300</b>	order no.:	<b>Z252-0300L/R</b>
Z250-		Z251-		Z252-	
ambient lighting	Z909-00..	ambient lighting	Z909-00..	ambient lighting	Z909-00..
transformer	Z915-0000	transformer	Z915-0000	transformer	Z915-0000
				underframe	Z848-....
				underframe lighting	Z911-00..

PLANNING ELEMENT X4		PLANNING ELEMENT X4	
3 full pull out drawers assembled	W 60 cm H 77 cm D 43 cm	3 large full pull out drawers (divided) assembled	W 124 cm H 77 cm D 43 cm
			
order no.:	<b>Z253-0300</b>	order no.:	<b>Z254-0300</b>
Z253-		Z254-	
ambient lighting	Z909-00..	ambient lighting	Z909-00..
transformer	Z915-0000	transformer	Z915-0000
underframe	Z848-....	underframe	Z848-....
underframe lighting	Z911-00..	underframe lighting	Z911-00..

**PLANNING ELEMENTS**

**PLAN** ✕

✕4\_TIMELESS

**ALSO AVAILABLE AS FREE-STANDING SINGLE ITEMS AT THE SAME PRICE**

Please always add a sketch to your order.

**Assembled items have a one-piece top leaf end-to-end up until a length of 252 cm!**

**Finishes:** Please add the 5<sup>TH</sup> - 8<sup>TH</sup> number of the order-no. with the finish code (overview see page 3)

**9<sup>TH</sup> number of the order-no.:** L=pictured item | R=mirrored item



**3 GRIDS**

H 111 cm

**STANDING CABINETS**

PLANNING ELEMENT X4		PLANNING ELEMENT X4		PLANNING ELEMENT X4	
1 door	W 40 cm	1 door	W 40 cm	1 door	W 60 cm
2 wood shelves, adjustable assembled	H 111 cm D 43 cm	1 wood shelf behind glass door, fixed assembled	H 111 cm D 43 cm	2 wood shelves, adjustable assembled	H 111 cm D 43 cm
order no.:	<b>Z350-0300L/R</b>	order no.:	<b>Z351-0300L/R</b>	order no.:	<b>Z352-0300L/R</b>
Z350-		Z351-		Z352-	
ambient lighting	Z909-00..	2x set of 1 LED lighting	Z901-0001 à	ambient lighting	Z909-00..
transformer	Z915-0000	ambient lighting	Z909-00..	transformer	Z915-0000
		transformer	Z915-0000	underframe	Z848-....
				underframe lighting	Z911-00..

PLANNING ELEMENT X4		PLANNING ELEMENT X4		PLANNING ELEMENT X4	
1 door	W 60 cm	4 full pull out drawers assembled	W 60 cm	1 door	W 60 cm
1 wood shelf, adjustable	H 111 cm		H 111 cm	1 wood shelf behind glass door, fixed assembled	H 111 cm
2 full pull out drawers assembled	D 43 cm		D 43 cm		D 43 cm
order no.:	<b>Z353-0300L/R</b>	order no.:	<b>Z354-0300</b>	order no.:	<b>Z355-0300L/R</b>
Z353-		Z354-		Z355-	
ambient lighting	Z909-00..	ambient lighting	Z909-00..	2x set of 1 LED lighting	Z901-0001 à
transformer	Z915-0000	transformer	Z915-0000	ambient lighting	Z909-00..
underframe	Z848-....	underframe	Z848-....	transformer	Z915-0000
underframe lighting	Z911-00..	underframe lighting	Z911-00..	underframe	Z848-....
				underframe lighting	Z911-00..

PLANNING ELEMENT X4	
4 large full pull out drawers (divided) assembled	W 124 cm H 111 cm D 43 cm
order no.:	<b>Z356-0300</b>
Z356-	
ambient lighting	Z909-00..
transformer	Z915-0000
underframe	Z848-....
underframe lighting	Z911-00..

**PLANNING ELEMENTS**

**PLAN** ✕

✕4\_TIMELESS

**ALSO AVAILABLE AS FREE-STANDING SINGLE ITEMS AT THE SAME PRICE**

Please always add an sketch to your order.

**Assembled items have a one-piece top leaf end-to-end up until a length of 252 cm!**

**Finishes:** Please add the 5<sup>TH</sup> - 8<sup>TH</sup> number of the order-no. with the finish code (overview see page 3)

**9<sup>TH</sup> number of the order-no.:** L=pictured item | R=mirrored item



**4 GRIDS**

H 145 cm

**STANDING CABINETS**

PLANNING ELEMENT X4		PLANNING ELEMENT X4		PLANNING ELEMENT X4	
1 door	W 40 cm	1 door	W 60 cm	1 door	W 60 cm
2 wood shelves, adjustable	H 145 cm	2 wood shelves, adjustable	H 145 cm	1 wood shelf, adjustable	H 145 cm
1 fixed shelf	D 43 cm	1 fixed shelf	D 43 cm	3 full pull out drawers	D 43 cm
assembled		assembled		assembled	
order no.:	<b>Z450-0300L/R</b>	order no.:	<b>Z451-0300L/R</b>	order no.:	<b>Z452-0300L/R</b>
Z450-		Z451-		Z452-	
ambient lighting	Z909-00..	ambient lighting	Z909-00..	ambient lighting	Z909-00..
transformer	Z915-0000	transformer	Z915-0000	transformer	Z915-0000
		underframe	Z848-....	underframe	Z848-....
		underframe lighting	Z911-00..	underframe lighting	Z911-00..

PLANNING ELEMENT X4		PLANNING ELEMENT X4	
1 door	W 60 cm	1 door	W 60 cm
1 wood shelf, adjustable	H 145 cm	1 wood shelf behind glass door, fixed	H 145 cm
1 wood shelf behind glass door, fixed	D 43 cm	3 full pull out drawers	D 43 cm
assembled		assembled	
order no.:	<b>Z453-0300L/R</b>	order no.:	<b>Z454-0300L/R</b>
Z453-		Z454-	
2x set of 1 LED lighting	Z901-0001 à	2x set of 1 LED lighting	Z901-0001 à
ambient lighting	Z909-00..	ambient lighting	Z909-00..
transformer	Z915-0000	transformer	Z915-0000
underframe	Z848-....	underframe	Z848-....
underframe lighting	Z911-00..	underframe lighting	Z911-00..



**PLANNING ELEMENTS**

**PLAN** ✕

✕4\_TIMELESS

**ALSO AVAILABLE AS FREE-STANDING SINGLE ITEMS AT THE SAME PRICE**

Please always add a sketch to your order.

**Assembled items have a one-piece top leaf end-to-end up until a length of 252 cm!**

**Finishes:** Please add the 5<sup>TH</sup> - 8<sup>TH</sup> number of the order-no. with the finish code (overview see page 3)

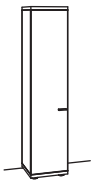
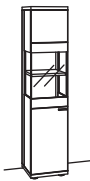
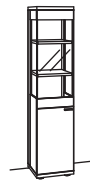
**9<sup>TH</sup> number of the order-no.:** L=pictured item | R=mirrored item

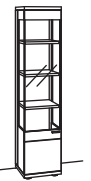
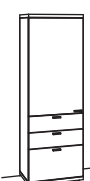
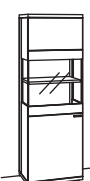





**5 GRIDS**

H 179 cm

**STANDING CABINETS**

<b>PLANNING ELEMENT X4</b> 1 door 3 wood shelves, adjustable 1 fixed shelf assembled W 40 cm H 179 cm D 43 cm 		<b>PLANNING ELEMENT X4</b> 1 door 1 wood shelf, adjustable 1 wood shelf behind glass door, fixed assembled W 40 cm H 179 cm D 43 cm 		<b>PLANNING ELEMENT X4</b> 1 door 1 wood shelf, adjustable 2 wood shelves behind glass door, fixed assembled W 40 cm H 179 cm D 43 cm 	
order no.:	<b>Z550-0300L/R</b>	order no.:	<b>Z551-0300L/R</b>	order no.:	<b>Z552-0300L/R</b>
Z550-		Z551-		Z552-	
ambient lighting	Z909-00..	2x set of 1 LED lighting	Z901-0001 à	3x set of 1 LED lighting	Z901-0001 à
transformer	Z915-0000	ambient lighting	Z909-00..	ambient lighting	Z909-00..
		transformer	Z915-0000	transformer	Z915-0000

<b>PLANNING ELEMENT X4</b> 1 door 3 wood shelves behind glass door, fixed assembled W 40 cm H 179 cm D 43 cm 		<b>PLANNING ELEMENT X4</b> 1 door 2 wood shelves, adjustable 3 full pull out drawers assembled W 60 cm H 179 cm D 43 cm 		<b>PLANNING ELEMENT X4</b> 1 door 1 wood shelf, adjustable 1 wood shelf behind glass door, fixed assembled W 60 cm H 179 cm D 43 cm 	
order no.:	<b>Z553-0300L/R</b>	order no.:	<b>Z554-0300L/R</b>	order no.:	<b>Z555-0300L/R</b>
Z553-		Z554-		Z555-	
4x set of 1 LED lighting	Z901-0001 à	ambient lighting	Z909-00..	2x set of 1 LED lighting	Z901-0001 à
ambient lighting	Z909-00..	transformer	Z915-0000	ambient lighting	Z909-00..
transformer	Z915-0000	underframe	Z848-....	transformer	Z915-0000
		underframe lighting	Z911-00..	underframe	Z848-....
				underframe lighting	Z911-00..

<b>PLANNING ELEMENT X4</b> 1 door 1 wood shelf behind glass door, fixed 3 full pull out drawers assembled W 60 cm H 179 cm D 43 cm 		<b>PLANNING ELEMENT X4</b> 1 door 1 wood shelf, adjustable 2 wood shelves behind glass door, fixed assembled W 60 cm H 179 cm D 43 cm 		<b>PLANNING ELEMENT X4</b> 1 door 3 wood shelf behind glass door, fixed assembled W 60 cm H 179 cm D 43 cm 	
order no.:	<b>Z556-0300L/R</b>	order no.:	<b>Z557-0300L/R</b>	order no.:	<b>Z558-0300L/R</b>
Z556-		Z557-		Z558-	
2x set of 1 LED lighting	Z901-0001 à	3x set of 1 LED lighting	Z901-0001 à	4x set of 1 LED lighting	Z901-0001 à
ambient lighting	Z909-00..	ambient lighting	Z909-00..	ambient lighting	Z909-00..
transformer	Z915-0000	transformer	Z915-0000	transformer	Z915-0000
underframe	Z848-....	underframe	Z848-....	underframe	Z848-....
underframe lighting	Z911-00..	underframe lighting	Z911-00..	underframe lighting	Z911-00..

**PLANNING ELEMENTS**

**PLAN** ✕

✕4\_TIMELESS

**ALSO AVAILABLE AS FREE-STANDING SINGLE ITEMS AT THE SAME PRICE**

Please always add a sketch to your order.

**Assembled items have a one-piece top leaf end-to-end up until a length of 252 cm!**

**Finishes:** Please add the 5<sup>TH</sup> - 8<sup>TH</sup> number of the order-no. with the finish code (overview see page 3)

**9<sup>TH</sup> number of the order-no.:** L=pictured item | R=mirrored item



**6 GRIDS**

H 214 cm

**STANDING CABINETS**

PLANNING ELEMENT X4		PLANNING ELEMENT X4		PLANNING ELEMENT X4	
1 door	W 40 cm	1 door	W 40 cm	1 door	W 40 cm
3 wood shelves, adjustable	H 214 cm	2 wood shelves, adjustable	H 214 cm	1 wood shelf, adjustable	H 214 cm
2 fixed shelves	D 43 cm	1 wood shelf behind glass door, fixed	D 43 cm	3 wood shelves behind glass door, fixed	D 43 cm
assembled		assembled		assembled	
order no.:	<b>Z650-0300L/R</b>	order no.:	<b>Z651-0300L/R</b>	order no.:	<b>Z652-0300L/R</b>
Z650-		Z651-		Z652-	
ambient lighting	Z909-00..	2x set of 1 LED lighting	Z901-0001 à	4x set of 1 LED lighting	Z901-0001 à
transformer	Z915-0000	ambient lighting	Z909-00..	ambient lighting	Z909-00..
		transformer	Z915-0000	transformer	Z915-0000

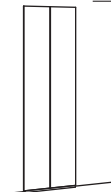
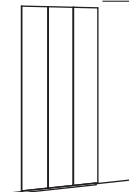
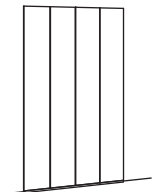
PLANNING ELEMENT X4		PLANNING ELEMENT X4		PLANNING ELEMENT X4	
1 door	W 40 cm	1 door	W 60 cm	1 door	W 60 cm
3 wood shelves behind glass door, fixed	H 214 cm	2 wood shelves, adjustable	H 214 cm	1 wood shelf, adjustable	H 214 cm
assembled	D 43 cm	1 wood shelf behind glass door, fixed	D 43 cm	1 wood shelf behind glass door, fixed	D 43 cm
		assembled		3 full pull out drawers	
				assembled	
order no.:	<b>Z653-0300L/R</b>	order no.:	<b>Z654-0300L/R</b>	order no.:	<b>Z655-0300L/R</b>
Z653-		Z654-		Z655-	
4x set of 1 LED lighting	Z901-0001 à	2x set of 1 LED lighting	Z901-0001 à	2x set of 1 LED lighting	Z901-0001 à
ambient lighting	Z909-00..	ambient lighting	Z909-00..	ambient lighting	Z909-00..
transformer	Z915-0000	transformer	Z915-0000	transformer	Z915-0000
		underframe	Z848-....	underframe	Z848-....
		underframe lighting	Z911-00..	underframe lighting	Z911-00..

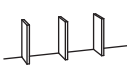
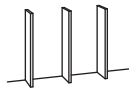
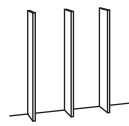
PLANNING ELEMENT X4		PLANNING ELEMENT X4	
1 door	W 60 cm	1 door	W 60 cm
1 wood shelf, adjustable	H 214 cm	3 wood shelves behind glass door, fixed	H 214 cm
3 wood shelves behind glass door, fixed	D 43 cm	assembled	D 43 cm
assembled			
order no.:	<b>Z656-0300L/R</b>	order no.:	<b>Z657-0300L/R</b>
Z656-		Z657-	
4x set of 1 LED lighting	Z901-0001 à	4x set of 1 LED lighting	Z901-0001 à
ambient lighting	Z909-00..	ambient lighting	Z909-00..
transformer	Z915-0000	transformer	Z915-0000
underframe	Z848-....	underframe	Z848-....
underframe lighting	Z911-00..	underframe lighting	Z911-00..

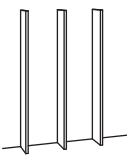
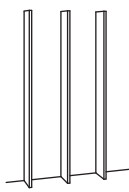
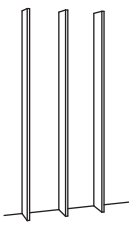
WALL SHELF WITH TRAY X4		WALL SHELF WITH TRAY X4		WALL SHELF WITH TRAY X4	
with wood shelf and aluminium tray anthracite W 37,0 cm max. load up to 5 kg assembled	W 75 cm H 24 cm D 22 cm	with wood shelf and aluminium tray anthracite W 66,8 cm max. load up to 10 kg assembled	W 147 cm H 24 cm D 22 cm	with wood shelf and aluminium tray anthracite W 66,8 cm max. load up to 12 kg assembled	W 207 cm H 24 cm D 22 cm
order no.:	<b>Z800-0318L/R</b>	order no.:	<b>Z801-0318L/R</b>	order no.:	<b>Z802-0318L/R</b>
ambient lighting	Z905-0001	ambient lighting	Z905-0002	ambient lighting	Z905-0003
transformer	Z915-0000	transformer	Z915-0000	transformer	Z915-0000



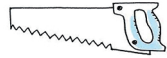
WALL SHELF X4		WALL SHELF X4		WALL SHELF X4	
max. load up to 3 kg <b>Please note: only in connection with wall panel available!</b>	W 30 cm H 2,6 cm D 20 cm	max. load up to 5 kg	W 60 cm H 2,6 cm D 20 cm	max. load up to 7 kg	W 90 cm H 2,6 cm D 20 cm
order no.:	<b>Z804-0300</b>	order no.:	<b>Z805-0300</b>	order no.:	<b>Z806-0300</b>
set of 1 LED lighting	Z901-0001	set of 1 LED lighting	Z901-0001	set of 2 LED lighting	Z901-0002
transformer	Z915-0000	transformer	Z915-0000	transformer	Z915-0000
special size for wall shelf	9999-9972	special size for wall shelf	9999-9972	special size for wall shelf	9999-9972

WALL SHELF X4		WALL SHELF X4		WALL SHELF X4	
max. load up to 7 kg	W 120 cm H 2,6 cm D 20 cm	max. load up to 10 kg	W 180 cm H 2,6 cm D 20 cm	max. load up to 12 kg	W 240 cm H 2,6 cm D 20 cm
order no.:	<b>Z807-0300</b>	order no.:	<b>Z808-0300</b>	order no.:	<b>Z809-0300</b>
set of 2 LED lighting	Z901-0002	set of 3 LED lighting	Z901-0003	set of 4 LED lighting	Z901-0004
transformer	Z915-0000	transformer	Z915-0000	transformer	Z915-0000
special size for wall shelf	9999-9972	special size for wall shelf	9999-9972	special size for wall shelf	9999-9972

<p><b>WALL PANEL X4</b></p> <p>assembled</p> <p>W 60,2 cm H 205 cm D 4 cm</p>  <p>order no.: <b>Z815-0300</b></p> <p>ambient lighting Z902-0001 transformer Z915-0000 special size wall panel 9999-9973</p>	<p><b>WALL PANEL X4</b></p> <p>assembled</p> <p>W 90,1 cm H 205 cm D 4 cm</p>  <p>order no.: <b>Z816-0300</b></p> <p>ambient lighting Z902-0002 transformer Z915-0000 special size wall panel 9999-9973</p>	<p><b>WALL PANEL X4</b></p> <p>pre-assembled 2 cases</p> <p>W 120 cm H 205 cm D 4 cm</p>  <p>order no.: <b>Z817-0300</b></p> <p>ambient lighting Z902-0003 transformer Z915-0000 special size wall panel 9999-9973</p>
--	--	---

<p><b>SIDE PANEL X4</b></p> <p>1 GRID</p> <p>W 2,6 cm H 41,4 cm D 26 cm</p>  <p>order no.: <b>Z820-0300L/M/R</b></p> <p>special size side panel 9999-9974</p>	<p><b>SIDE PANEL X4</b></p> <p>2 GRIDS</p> <p>W 2,6 cm H 78,2 cm D 26 cm</p>  <p>order no.: <b>Z821-0300L/M/R</b></p> <p>special size side panel 9999-9974</p>	<p><b>SIDE PANEL X4</b></p> <p>3 GRIDS</p> <p>W 2,6 cm H 115 cm D 26 cm</p>  <p>order no.: <b>Z822-0300L/M/R</b></p> <p>special size side panel 9999-9974</p>
--	---	--

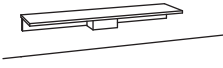
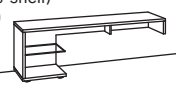
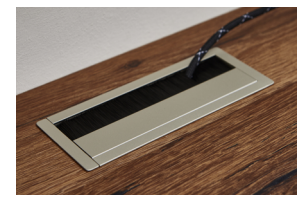
<p><b>SIDE PANEL X4</b></p> <p>4 GRIDS</p> <p>W 2,6 cm H 151,8 cm D 26 cm</p>  <p>order no.: <b>Z823-0300L/M/R</b></p> <p>special size side panel 9999-9974</p>	<p><b>SIDE PANEL X4</b></p> <p>5 GRIDS</p> <p>W 2,6 cm H 188,6 cm D 26 cm</p>  <p>order no.: <b>Z824-0300L/M/R</b></p> <p>special size side panel 9999-9974</p>	<p><b>SIDE PANEL X4</b></p> <p>6 GRIDS with adjustable feet</p> <p>W 2,6 cm H 225,6 cm D 26 cm</p>  <p>order no.: <b>Z825-0300L/M/R</b></p> <p>special size side panel 9999-9974</p>
--	--	---




<p><b>SHELVING UNIT SHELF X4</b></p> <p>0,6 GRIDS</p> <p>W 40 cm H 2,6 cm D 25,5 cm</p>  <p>order no.: <b>Z828-0300</b></p> <p>set of 1 LED lighting Z901-0001 transformer Z915-0000 special size for shelves (shelf unit) 9999-9975</p>	<p><b>SHELVING UNIT SHELF X4</b></p> <p>1 GRID</p> <p>W 60 cm H 2,6 cm D 25,5 cm</p>  <p>order no.: <b>Z829-0300</b></p> <p>set of 1 LED lighting Z901-0001 transformer Z915-0000 special size for shelves (shelf unit) 9999-9975</p>	<p><b>SURCHARGE SPECIAL SIZE</b></p>  <p>order no.: <b>9999-....</b></p> <p>-9972 surcharge special size for wall shelf -9973 surcharge special size for wall panel -9974 surcharge special size for side panel -9975 surcharge special size shelf (shelf unit)</p>
---	--	--




**Finishes:**




Please add the 5<sup>TH</sup> - 8<sup>TH</sup> number of the order-no. with the finish code

9<sup>TH</sup> number of the order-no.: L=pictured item | R=mirrored item

HANGING MEDIA SHELF X4		STACKING MEDIA SHELF WITH CORNER X4		CABLE FLAP IN TOP X4	
cable cover in centre, also available as hanging shelf without lowboard max. load up to 30 kg assembled 		for lowboards H 43 cm divider 15 cm recessed 1 glass shelf, 8 mm, (max. load up to 8 kg), assembled measurements open spaces le. to ri.: <b>W:</b> outside 450 mm, above lowboard: 1023 mm / 572 mm <b>H:</b> 2x 255 mm (outside with glass shelf) <b>H:</b> 141 mm (small spaces on top) <b>D:</b> 390 mm (dimensions Z844-....R- reversed) 		The cable flap is always positioned in the centre of the <b>top leaf</b> in the planning element under the TV; if preferred at a different position please indicate. 	
W 180 cm H 16,6 cm D 43 cm		W 169 cm H 60 cm D 43 cm			
order no.:	<b>Z843-0300</b>	order no.:	<b>Z844-0300L/R</b>	order no.:	<b>Z840-0000</b>
ambient lighting	Z903-0000	set of 3 LED lighting	Z901-0003		
transformer	Z915-0000	transformer	Z915-0000		
cable flap	Z840-0000	cable flap	Z840-0000		

CUTLERY INSERT X4		WOOD SHELF X4 (ADDITIONAL)		WOOD SHELF X4 (ADDITIONAL)	
for 60 cm drawers 		for lowboards, sideboards, highboards and cabinets (behind 60 cm wooden door) 		for lowboards, sideboards, highboards and cabinets (behind 40 cm wooden door) 	
		W 56,4 cm H 1,6 cm D 36 cm		W 36,4 cm H 1,6 cm D 36 cm	
order no.:	<b>Z847-0000</b>	order no.:	<b>Z890-0300</b>	order no.:	<b>Z891-0300</b>

WOOD SHELF X4 (ADDITIONAL)		WOOD SHELF X4 (ADDITIONAL)		WOOD SHELF X4 (ADDITIONAL)	
for hanging cabinets (behind 60er wooden door) 		for hanging cabinets (behind 40er wooden door) 		for lowboards, sideboards, highboards and cabinets (behind 60 cm glass door) <b>Only available with initial order!</b> 	
		W 56,4 cm H 1,6 cm D 26 cm		W 36,4 cm H 1,6 cm D 26 cm	
order no.:	<b>Z892-0300</b>	order no.:	<b>Z893-0300</b>	order no.:	<b>Z894-0300</b>

WOOD SHELF X4 (ADDITIONAL)		WOOD SHELF X4 (ADDITIONAL)		WOOD SHELF X4 (ADDITIONAL)	
for lowboards, sideboards, highboards and cabinets (behind 40er glass door) <b>Only available with initial order!</b> 		for hanging cabinets (behind 60er glass door) <b>Only available with initial order!</b> 		for hanging cabinets (behind 40er glass door) <b>Only available with initial order!</b> 	
		W 36,5 cm H 2,3 cm D 36 cm		W 56,5 cm H 2,3 cm D 26 cm	
order no.:	<b>Z895-0300</b>	order no.:	<b>Z896-0300</b>	order no.:	<b>Z897-0300</b>

**LED LIGHTING X4 FOR SPACES / SHELVES**

set of 1 LED lighting  
1 x 2,3 watt = 2,3 watt  
connecting line 1,8 m per light  
not possible to retrofit!

for assignment see order no.



order no.:	<b>Z901-0001</b>
transformer	Z915-0000

**LED LIGHTING X4 FOR SHELVES**

set of 2 LED lighting  
2 x 2,3 watt = 4,6 watt  
connecting line 1,8 m per light  
not possible to retrofit!

for assignment see order no.



order no.:	<b>Z901-0002</b>
transformer	Z915-0000

**LED LIGHTING X4 FOR SPACE / SHELF**

set of 3 LED lighting  
3 x 2,3 watt = 6,9 watt  
connecting line 1,8 m per light  
not possible to retrofit!

for assignment see order no.



order no.:	<b>Z901-0003</b>
transformer	Z915-0000

**LED LIGHTING X4 FOR SHELF**

set of 4 LED lighting  
4 x 2,3 watt = 9,2 watt  
connecting line 1,8 m per light  
not possible to retrofit!

for assignment see order no.



order no.:	<b>Z901-0004</b>
transformer	Z915-0000

**AMBIENT LIGHTING X4 FOR MEDIA SHELF**

for media shelf Z843-  
8 watt  
connecting line 3 m long  
possible to retrofit!



order no.:	<b>Z903-0000</b>
transformer	Z915-0000

**AMBIENT LIGHTING X4 FOR WALL SHELF**

for wall shelves Z800 / Z801 / Z802  
watt information see below  
connecting line 3 m per light  
possible to retrofit!

for assignment see order no.



order no.:	<b>Z905-....</b>
-0001	for wall shelf Z800- 6,2 watt
-0002	for wall shelf Z801- 12,5 watt
-0003	for wall shelf Z802- 18,2 watt
transformer	Z915-0000

**AMBIENT LIGHTING X4 FOR WALL PANEL**

for wall panels Z815 / Z816 / Z817  
watt information see below  
connecting line 3 m per light  
possible to retrofit!

for assignment see order no.

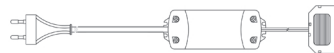


order no.:	<b>Z902-....</b>
-0001	21,3 watt for B 60,2 cm
-0002	22,5 watt for B 90,1 cm
-0003	24,0 watt for B 120 cm
transformer	Z915-0000

**TRANSFORMER X4**

LED converter  
**2-30 watt**  
power cord 1,5 m  
extension cord for 6 LED lights 0,1 m  
incl. Touch-Light

Max. load of the transformer is 30 watt.  
Please add up the wattage for each lighting  
and order the needed number of transformers!



order no.:	<b>Z915-0000</b>
------------	------------------

**EXTRA EXTENSION CORD X4**

extension cord for 6 LED lights  
2 meters



order no.:	<b>Z916-0000</b>
------------	------------------

**INFRARED REPEATER**

composed of:  
infrared repeater, holder, infrared sender, power pack



order no.:	<b>0089-0036</b>
------------	------------------

**TRANSMIT DIMMER SET**

control of lighting (transmit dimmer) as an alternative to  
handling the LED via Touch-Light. There are 3 possible  
lighting arrangements that can be used, programmed  
and saved. It is also possible to dim the different lighting  
arrangements separately. Max. current 3 x 30 watt.



order no.:	<b>0094-0036</b>
------------	------------------



AMBIENT LIGHTING | UNDERFRAME | UNDERFRAME LIGHTING

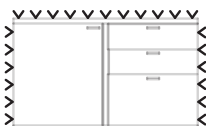
PLAN 

 4 TIMELESS

Choose for individual configurations!

AMBIENT LIGHTING

For all standing cabinets  
watt information see below  
Possible to retrofit!  
D + 1,5 cm  
+ 1 case



Please add the needed amount of transformers to your order when ordering lighting.

H GRIDS

H GRIDS												
6	Z909-0067 21 watt	Z909-0068 22 watt	Z909-0069 23 watt	Z909-0070 24 watt	Z909-0071 25 watt	Z909-0072 26 watt	Z909-0073 27 watt	Z909-0074 28 watt	Z909-0075 29 watt	Z909-0076 30 watt	Z909-0077 31 watt	
5	Z909-0056 18 watt	Z909-0057 19 watt	Z909-0058 20 watt	Z909-0059 21 watt	Z909-0060 22 watt	Z909-0061 23 watt	Z909-0062 24 watt	Z909-0063 25 watt	Z909-0064 26 watt	Z909-0065 26 watt	Z909-0066 28 watt	
4	Z909-0045 15 watt	Z909-0046 16 watt	Z909-0047 17 watt	Z909-0048 18 watt	Z909-0049 19 watt	Z909-0050 20 watt	Z909-0051 21 watt	Z909-0052 21 watt	Z909-0053 23 watt	Z909-0054 24 watt	Z909-0055 25 watt	
3	Z909-0034 11 watt	Z909-0035 12 watt	Z909-0036 13 watt	Z909-0037 14 watt	Z909-0038 15 watt	Z909-0039 16 watt	Z909-0040 17 watt	Z909-0041 18 watt	Z909-0042 19 watt	Z909-0043 20 watt	Z909-0044 21 watt	
2	Z909-0023 8 watt	Z909-0024 9 watt	Z909-0025 10 watt	Z909-0026 11 watt	Z909-0027 12 watt	Z909-0028 13 watt	Z909-0029 14 watt	Z909-0030 15 watt	Z909-0031 16 watt	Z909-0032 17 watt	Z909-0033 18 watt	
1,5	Z909-0012 6 watt	Z909-0013 7 watt	Z909-0014 9 watt	Z909-0015 10 watt	Z909-0016 11 watt	Z909-0017 11 watt	Z909-0018 13 watt	Z909-0019 14 watt	Z909-0020 15 watt	Z909-0021 16 watt	Z909-0022 17 watt	
1	Z909-0001 5 watt	Z909-0002 6 watt	Z909-0003 7 watt	Z909-0004 8 watt	Z909-0005 9 watt	Z909-0006 10 watt	Z909-0007 11 watt	Z909-0008 12 watt	Z909-0009 13 watt	Z909-0010 13 watt	Z909-0011 15 watt	
WIDTH	40 cm	60 cm	80 cm	100 cm	120 cm	140 cm	160 cm	180 cm	200 cm	220 cm	240 cm	

TRANSFORMER

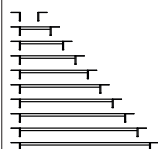


Z915-0000  
2-30 watt

The transformer has a max. load of 30 watt. Please add up the wattage of the lightings and order the needed number of transformers!  
example: 5 x set of 1 lighting Z901-0001+ ambient lighting Z909-0072 = 5 x 2,3 watt + 26 watt = 37,5 watt. You need 2 transformers.

METAL UNDERFRAME

Please add the 5<sup>TH</sup> + 6<sup>TH</sup> number to the order-no.:  
18-metal anthracite matt



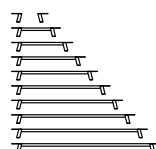
H 14 cm  
+ 1 case

Possible to retrofit!



WOODEN UNDERFRAME

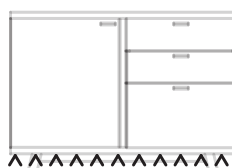
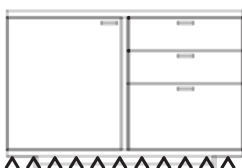
03-oak rustico light oiled finish



	Z848--.02	Z848--.03	Z848--.04	Z848--.05	Z848--.06	Z848--.07	Z848--.08	Z848--.09	Z848--.10	Z848--.11	
WIDTH	60 cm	80 cm	100 cm	120 cm	140 cm	160 cm	180 cm	200 cm	220 cm	240 cm	

UNDERFRAME LIGHTING

LED flex tape  
watt information see below  
When ordering items with lighting, please add the  
needed amount of transformers to your order!  
Achtung: Nur in Verbindung mit Untergestell.  
Possible to retrofit!



	Z911-0002 2,7 watt	Z911-0003 3,7 watt	Z911-0004 4,6 watt	Z911-0005 5,6 watt	Z911-0006 6,5 watt	Z911-0007 7,5 watt	Z911-0008 8,4 watt	Z911-0009 9,4 watt	Z911-0010 10,4 watt	Z911-0011 11,3 watt
WIDTH	60 cm	80 cm	100 cm	120 cm	140 cm	160 cm	180 cm	200 cm	220 cm	240 cm

TRANSFORMER



Z915-0000  
2-30 watt

contact	phone	e-mail	sales office	phone (fax -229)	e-mail
Simon Kent	+44 75 45 - 64 14 03	sikent@me.com	Sven Steinecke	+49 5209 592 -231	sven.steinecke@venjakob-moebel.de
Simon Linney	+44 74 15 - 68 00 56	simon.linney@gmail.com			
EXPORT: Frank Bäumer	+49 52 09 - 592 249	frank.baeumer@venjakob-moebel.de			

 [www.facebook.com/venjakobmoebel](http://www.facebook.com/venjakobmoebel)
 [www.instagram.com/venjakobmoebel](http://www.instagram.com/venjakobmoebel)
 [www.pinterest.de/venjakobmoebel](http://www.pinterest.de/venjakobmoebel)  
 Internet: [www.venjakob-moebel.de](http://www.venjakob-moebel.de)

Alfons Venjakob GmbH & Co. KG | Friedrichsdorfer Straße 220 | 33335 Gütersloh, Germany  
 phone +49 5209/592-0 | fax +49 5209/592-229 | e-mail: [bestellung@venjakob-moebel.de](mailto:bestellung@venjakob-moebel.de)

**VENJAKOB**  
 Vorsprung durch Design und Qualität

MADE IN GERMANY

**furn plan**



We are a member  
 of the Deutschen  
 Gütegemeinschaft  
 Möbel